

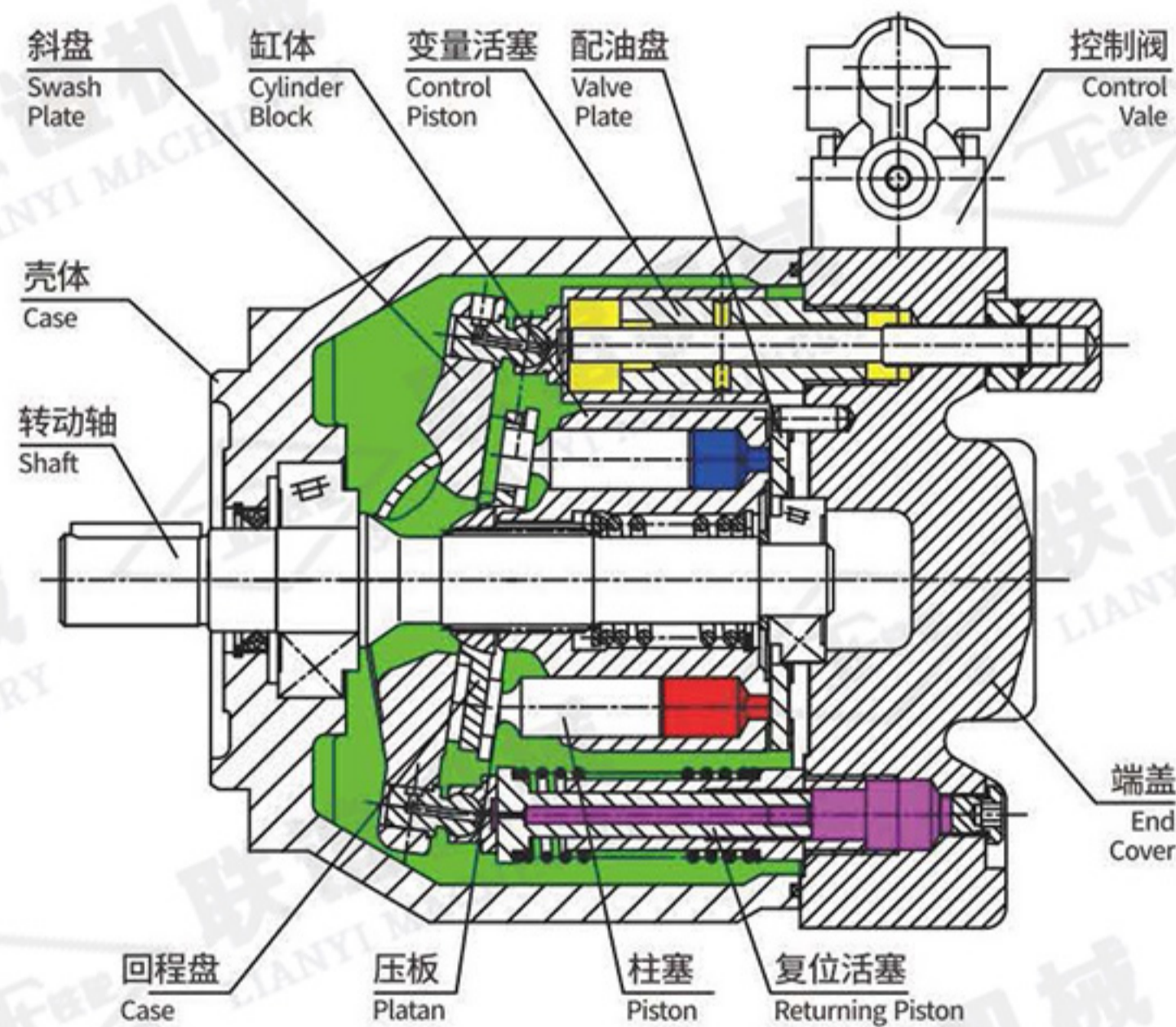
# LY-A10VO/32系列变量柱塞泵

## Variable Displacement Piston Pump LY-A10VO/32

### 概述 Overview

LY-A10VSO/32系列变量柱塞泵均为斜盘式轴向柱塞变量泵，分别为工业用和行走机械用设计，都是专为开式回路液压驱动设计的，采用通轴结构，额定工作压力可达28MPa。

LY-A10V(S)O/32 series variable displacement piston pump swash plate axial plunger variable pump, respectively for industrial use and for mobile machinery design, is designed for open loop hydraulic driven design, adopts a shaft structure, rated working pressure up to 28Mpa.



### 特点

- ※斜盘结构轴向柱塞变量泵，用于开式回路中的静液压传动
- ※流量与传动速度和排量成正比。
- ※可通过调节旋转斜盘角度无级更改流量。
- ※已释放了流体静力的摇架轴承
- ※高压油口上的测量传感器链接
- ※底噪音等级
- ※低压脉动
- ※高效率
- ※高度抗气蚀、吸油压力和壳体压力峰值下降
- ※通用通轴驱动

### Features

- ※Variable pump with axial piston rotary group of swash-plate design for hydrostatic drives in open circuit
- ※Flow is proportional to the drive speed and displacement.
- ※The flow can be infinitely varied by adjusting the swash-plate angle.
- ※Hydrostatic unloading of the cradle bearings
- ※Connection for measuring sensor on the high-pressure port
- ※Low noise level
- ※Low pressure pulsation
- ※High efficiency
- ※High resistance against cavitation, loss of suction pressure and case pressure peaks
- ※Universal through driv



## 型号标识 Type Code

LY-	A10VS	O	45	DR	/	32	R	—	V	P	B	22U	B3
	1	2	3	4		5	6		7	8	9	10	11

### 1-结构分类 Machinery Classification

轴向柱塞, 直轴式, 可变量, 工业用 Axial piston, swash plate design, variable, used in industry	A10VS
--	-------

### 2-运行模式 Operational Mode

开式回路 Open circuit	O
-------------------	---

### 3-规格 Size

公称排量 Nominal displacement mL/r	45	71	100	140
--------------------------------	----	----	-----	-----

### 4-控制机构 Control Devices

直接控制, 两位调节 Two point control, directly operated DG						DG	
压力控制 Pressure Control	带流量控制 with flow controller	X-T开启 open	●	●	●	●	DR
		X-T关闭 plugged	●	●	●	●	DRS
	带远程压力控制 Remote pressure control		●	●	●	●	DRG
功率控制 Power control	带压力切断 With pressure cut-off 功率控制初始值为: beginning of control	至5MPa	●	●	●	●	LA5D
		自5.1至9MPa	●	●	●	●	LA6D
		自9.1至16MPa	●	●	●	●	LA7D
		自16至24MPa	●	●	●	●	LA8D
		超过24MPa	●	●	●	●	LA9D
功率控制, 带压力切断, 远程控制 Power controller with pressure cut-off, remotely operated		功率初始值同上	●	●	●	●	LA*DG
功率控制, 带压力切断, 流量控制, X-T关闭 Power controller with pressure cut-off flow control, X-T plugged		功率初始值同上	●	●	●	●	LA*DS
功率控制, 带单独流量控制, X-T关闭 Power controller flow control, X-T plugged, electrically over-ridable (negative control)		功率初始值同上	●	●	●	●	LA*S

### 5-系列 Series

	32
--	----

### 6-旋转方向 (从轴端看) Rotating Direction (View on Shaft End)

顺时针 Clockwise	R
逆时针 Counterclockwise	L

### 7-密封 Seals

氟橡胶 Viton FKM	V
---------------	---

### 8-轴伸 Shaft End

	45	71	100	140	
平键轴伸 Keyed shaft DIN6885	●	●	●	●	P
花键轴伸 Splined shaft SAE	●	●	●	●	S
花键轴伸 Similar to shaft S 较高通轴驱动转矩	●	●	-	-	R

图表说明 Chart shows: ●=可以供货 Available, ○=在准备中 In preparation, --=无 Not available



### 9-安装法兰 Mounting Flange

ISO 4孔	B
--------	---

### 10-工作油口 Service Line Ports

吸油口S和压力油口B在底部与顶部, SAE法兰, 公制螺钉孔, 通用通轴驱动	22U
--	-----

### 11-通轴驱动 Through Drive

			45	71	100	140	
无通轴驱动 Without through drive			●	●	●	●	N00
带通轴驱动, 从泵连接尺寸如下 With through drive, the second pump connection dimension as follows							
安装法兰 Mounting flange	轴伸 Spline shaft	可接受的从泵 The second pump					
ISO80-2	S轴 3/4in11T16/32DP	CR10VS018/31	●	●	●	●	B2
ISO100-2	S轴 7/8in13T16/32DP	CR10VSO28/31	●	●	●	●	B3
ISO100-2	S轴 1 in15T16/32DP	CR10VSO45/31	●	●	●	●	B4
ISO125-4	S轴 1 in15T16/32DP	CR10VSO45/32	●	●	●	●	E1
ISO160-4	S轴 1 1/4in14T12/24DP	CR10VSO71/32	-	●	●	●	B8
ISO180-4	S轴 1 1/2in17T12/24DP	CR10VS0100/32	-	-	●	●	B9
ISO180-4	S轴 1 3/4in13T8/16DP	CR10V0140/31-32	-	-	-	●	B7
SAE82-2	U轴 5/8in9T16/32DP	CR10VSO18/31	●	●	●	●	01
SAE82-2	S轴 3/4in11T16/32DP	CR10VSO18/31	●	●	●	●	52
SAE101-2	S轴 7/8in13T16/32DP	CR10VSO28/31	●	●	●	●	68
SAE101-2	S轴 1 in15T16/32DP	CR10VSO45/31	●	●	●	●	04
SAE127-4	S轴 1in 5T16/32DP	CR10VS071/31	●	●	●	●	E2
SAE127-4	S轴 1 1/4in14T12/24DP	CR10VS0100/31	-	●	●	●	15
SAE127-2	S轴 1 1/2in17T12/24DP	CR10VS0140/31	-	-	●	●	24
SAE152-4	S轴 1 1/2in17T12/24DP	CR10VS0100/32	-	-	●	●	96
SAE152-4	S轴 1 3/4in13T8/16DP	CR10V0140/31-32	-	-	-	●	17

### 技术参数 Technical Data

■参数表 Parameters Table

规格 Size			45	71	100	140
排量 Displacement	$V_{g\max}$	mL/r	45	71	100	140
吸入US压力(绝对压力) Pressure at suction port US (Absolute pressure)	最低压力 Minimum pressure	$P_{s\min}$	0.8		1	
	最高压力 Maximum pressure	$P_{s\max}$	10			
出油口B压力(绝对压力) Pressure at Outlet port B (Absolute pressure)	额定压力 Rated pressure	$P_N$	280			
	峰值压力 Peak pressure	$P_{\max}$	350			
	最小压力 Minimum pressure		10			
压力变化速率 Rate of pressure change	$R_A$	bar/s	16000			
泄油口L、L <sub>1</sub> 压力(绝对压力) Drain port L, L <sub>1</sub> pressure (Absolute pressure)	$P_L$	bar	2			



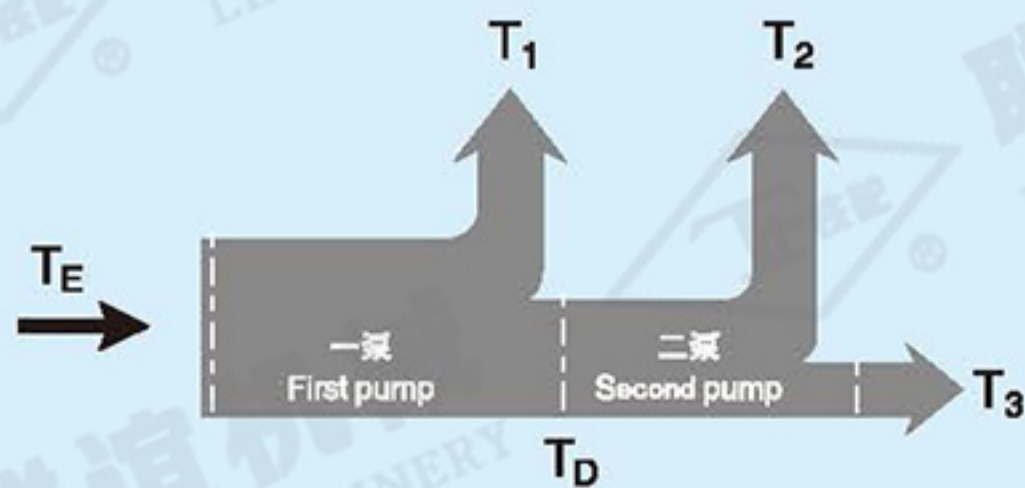
规格 Size				45	71	100	140
排量 Displacement	$V_g$ max	mL/r		45	71	100	140
最大转速 <sup>1)</sup> Max. speed $P_s = 1\text{bar}$	$V_g = V_g \text{ max}$ 时	$n_o \text{ max}$	r/min	1800	1800	-	-
	$V_g < V_g \text{ max}$ 时		r/min	-	-	1800	1800
最大流量 Max. flow	$n = n_o \text{ max}$ 时	$Q_{vo \text{ max}}$	L/min	81	128	180	252
	$n = 1500 \text{ r/min}$ 时		L/min	67.5	106.7	150	210
最大功率 Maximum power ( $\Delta p = 280 \text{ bar}$ )	$n = n_o \text{ max}$ 时	$p_o \text{ max}$	kW	38	59.7	84	118
	$n = 1500 \text{ r/min}$ 时		kW	31	50	70	98
扭矩 Torque ( $V_g = V_{g \text{ max}}$ )	$\Delta p = 280 \text{ bar}$ 时	$T_{\text{max}}$	Nm	200	317	446	624
	$\Delta p = 100 \text{ bar}$ 时	T	Nm	72	113	159	223
旋转刚度 Torsional stiffness	轴伸 P Shaft extension P		Nm/rad	34587	80627	132335	188406
	轴伸 S Shaft extension S		Nm/rad	29497	71884	121142	169537
	轴伸 R Shaft extension R		Nm/rad	41025	76545	-	-
旋转总成转动惯量 Moment of inertia of the rotating assembly	J	kgm <sup>2</sup>		0.0035	0.0087	0.0185	0.0276
最大角加速度 Max. angular acceleration		rad/s <sup>2</sup>		4000	2900	2400	2000
壳体容积 Volume of case		L		1.0	1.6	2.2	3.0
重量 Weight		kg		30	47	69	73
扭矩 Torque ( $V_{g \text{ max}}$ 且 $\Delta p = 280 \text{ bar}$ 时)		$T_{\text{max}}$	Nm	200	317	446	624
最大输入扭矩 <sup>1)</sup> Max. input torque <sup>1)</sup>	轴伸 P Shaft extension P	$T_{E \text{ max}}$	Nm	200	439	857	1206
		$\phi$	mm	25	32	40	45
	轴伸 S Shaft extension S	$T_{E \text{ max}}$	Nm	319	626	1104	1620
		$\phi$	in	1	1 1/4	1 1/2	1 3/4
	轴伸 R Shaft extension R	$T_{E \text{ max}}$	Nm	400	644	-	-
		$\phi$	in	1	1 1/4	-	-

1)  $V_g = V_{g \text{ max}}$  时的数值适用于吸油口 S 的进口压力为  $P_s = 1\text{bar}$  (绝对压力) 时的情况, 当进口压力  $P_s$  增加或排量减小, 则转速可增加, 当进口压力为  $P_{s \text{ min}} = 0.8\text{bar}$  时, 转速应减小至 90%。 $V_g < V_{g \text{ max}}$  时的数值为转速极限。

1) Once  $V_g = V_{g \text{ max}}$ , the value is applicable to the inlet pressure at suction port S is  $P_s = 1\text{bar}$  (absolute pressure), when the inlet pressure  $P_s$  increase or decrease the displacement, the speed can be increased, when the inlet pressure  $P_{s \text{ min}} = 0.8\text{bar}$ , the speed should be reduced to 90%.  $V_g < V_{g \text{ max}}$  value when the speed limit.

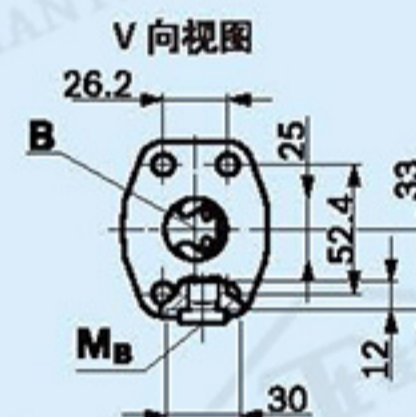
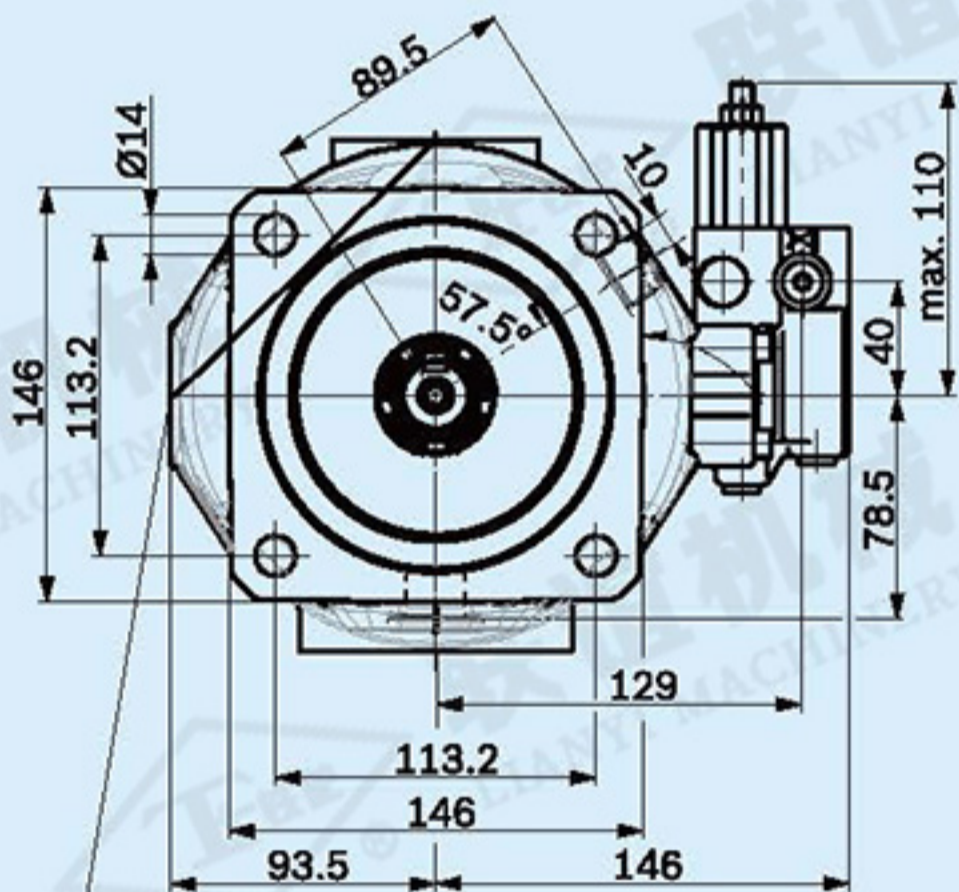
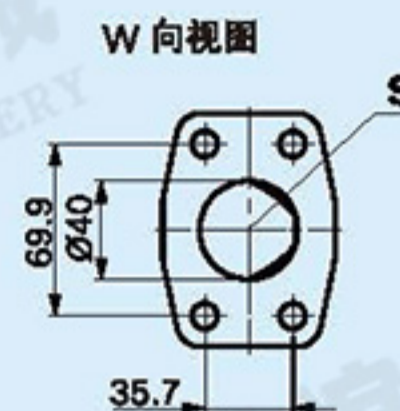
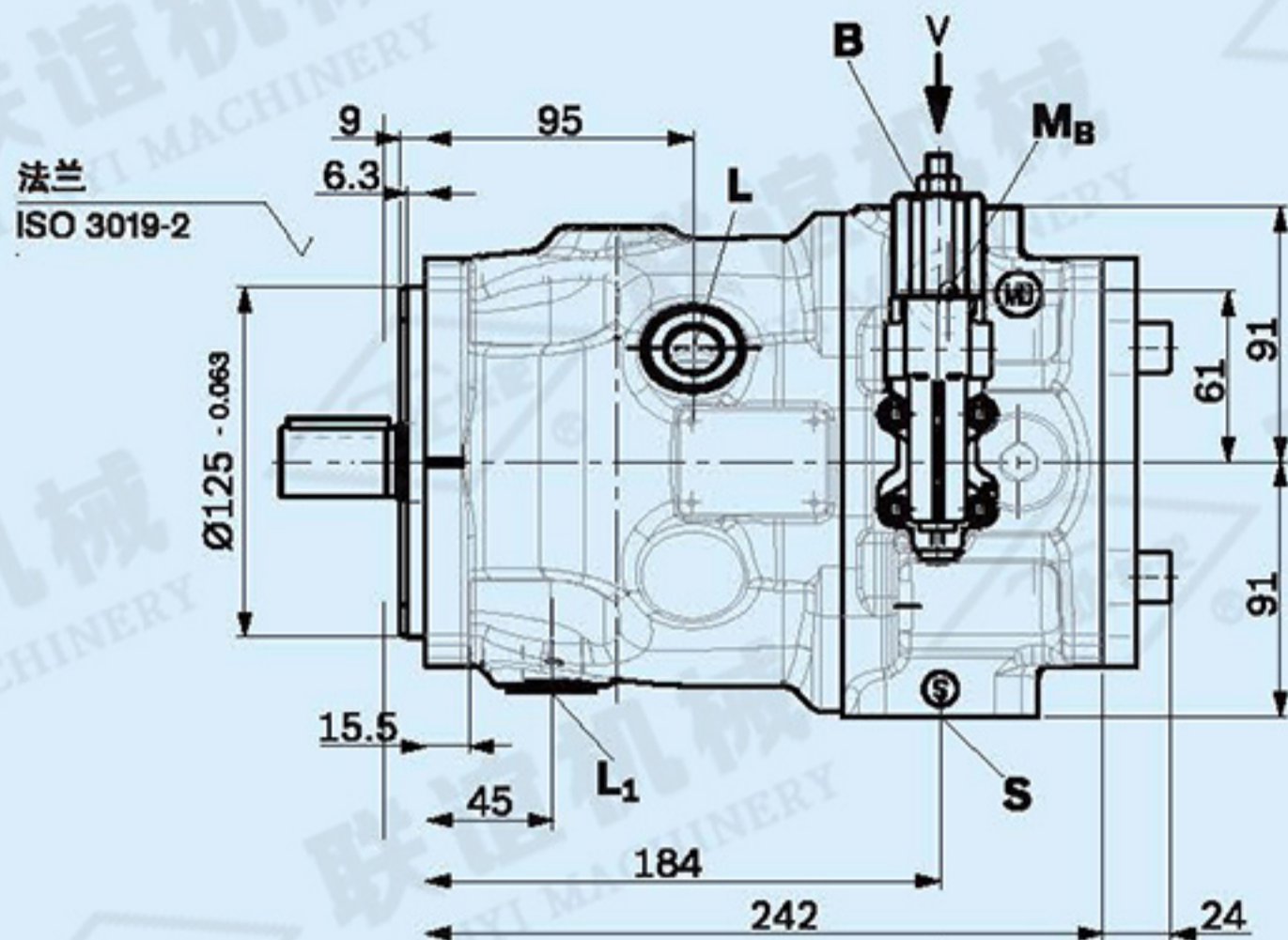
2) 适用于无径向力作用的传动轴 For drive shaft free of radial load

扭矩分布 Torque Distribution





外形尺寸 规格45 (控制机构DR、DRG、DFR/DFR1)  
Dimensions size 45 (Control devices DR, DRG, DFR/DFR1)



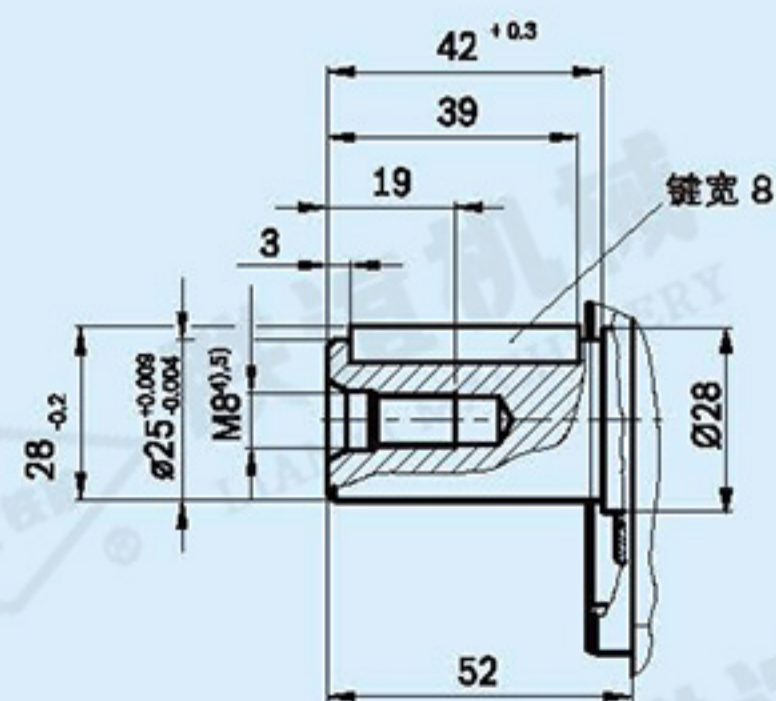
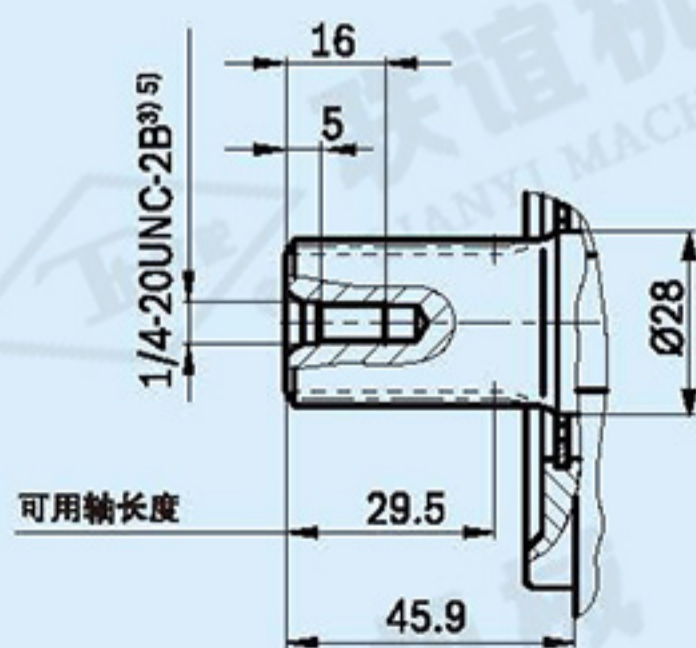
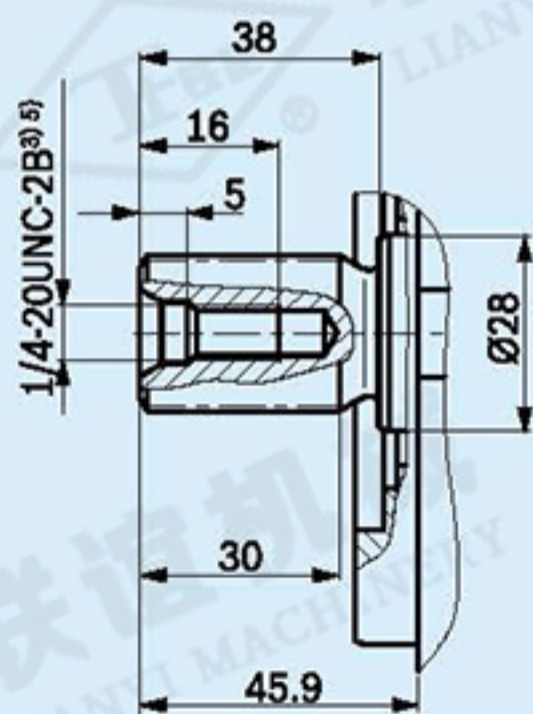
适合逆时针旋转的  
阀安装位置

轴伸 Shaft

S 花键轴, 15T 16/32DP<sup>(1)(2)</sup>  
(SAE J744)

R 花键轴, 15T 16/32DP<sup>(1)(2)</sup>  
(SAE J744)

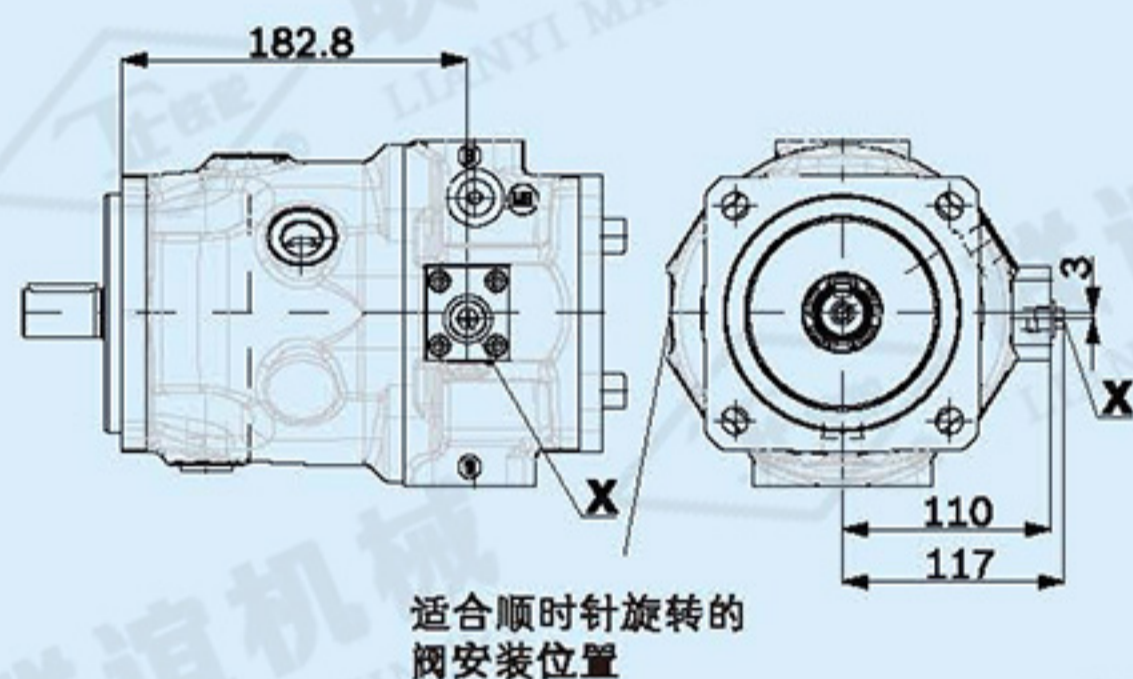
P 平键轴 DIN6885, A8x7x36



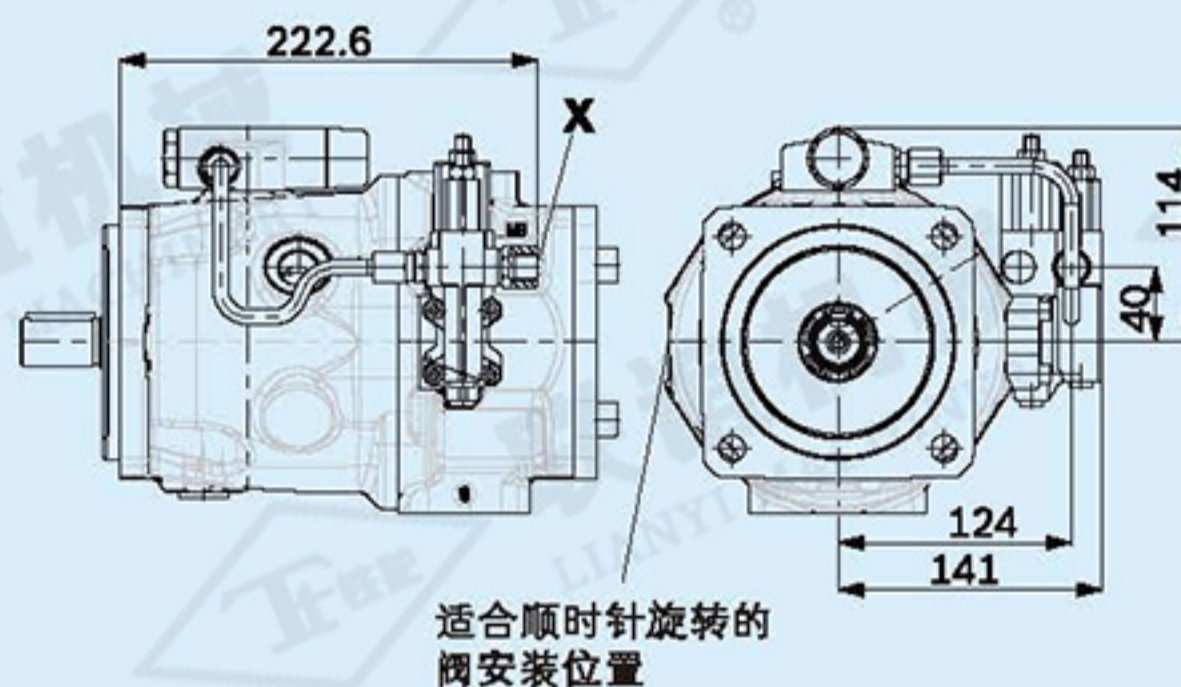


油口 Ports	标准	规格	P <sub>max</sub> [bar]	状态
B 出油口Outlet port	SAE J518	1 in	350	O
紧固螺纹Fastening thread	DIN 13	M10 x 1.5;17(深)		
S 进油口Suction port	SAE J518	1 1/2 in	10	O
紧固螺纹Fastening thread	DIN 13	M12 x 1.75;20(深)		
L 泄油口Drain port	DIN 3852	M22 x 1.5;14(深)	2	O
L <sub>1</sub> 泄油口Drain port	DIN 3852	M22 x 1.5;14(深)	2	X
X 控制油口Control pressure	DIN 3852	M14 x 1.5;12(深)	350	O
X 控制压力Control pressure for DG control	DIN ISO 228	G 1/4 in;12(深)	280	O
M <sub>B</sub> 测量压力 B Measuring pressure B	DIN 3852	G 1/4 in;12(深)	350	X

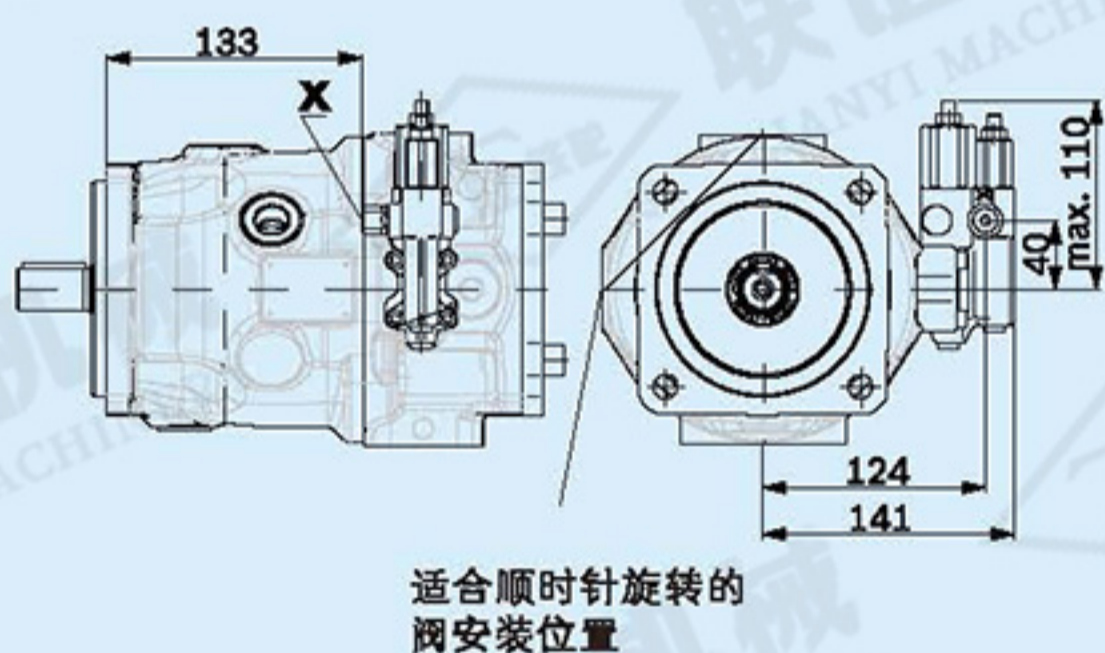
▼ DG - 两点直动式控制



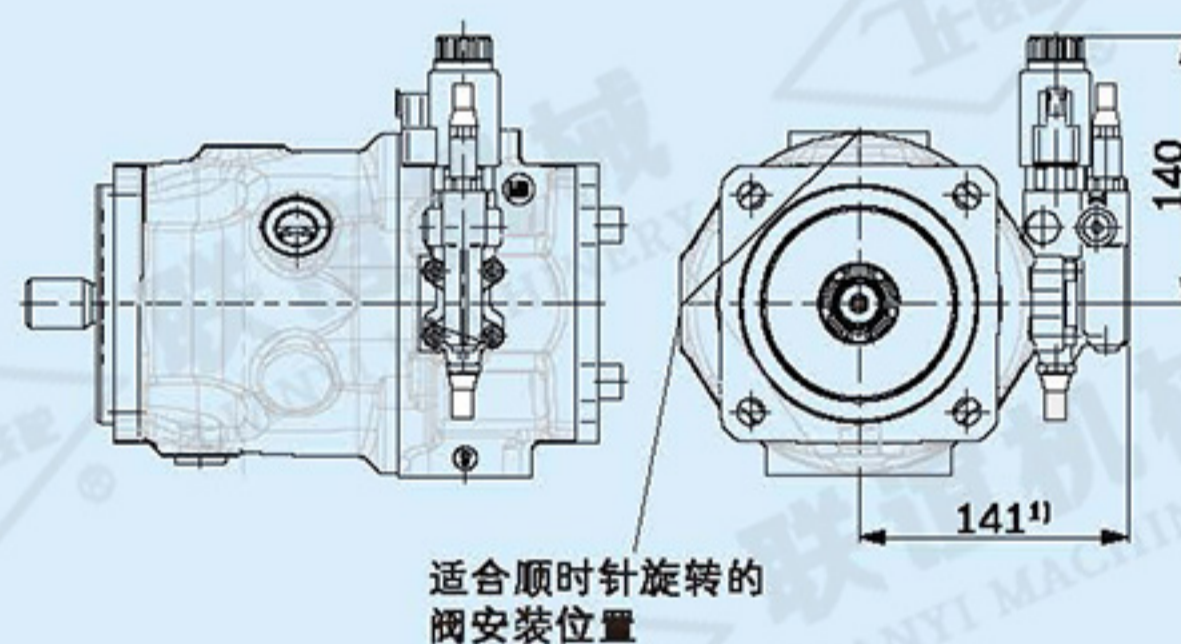
▼ LA.DS - 压力、流量和功率控制



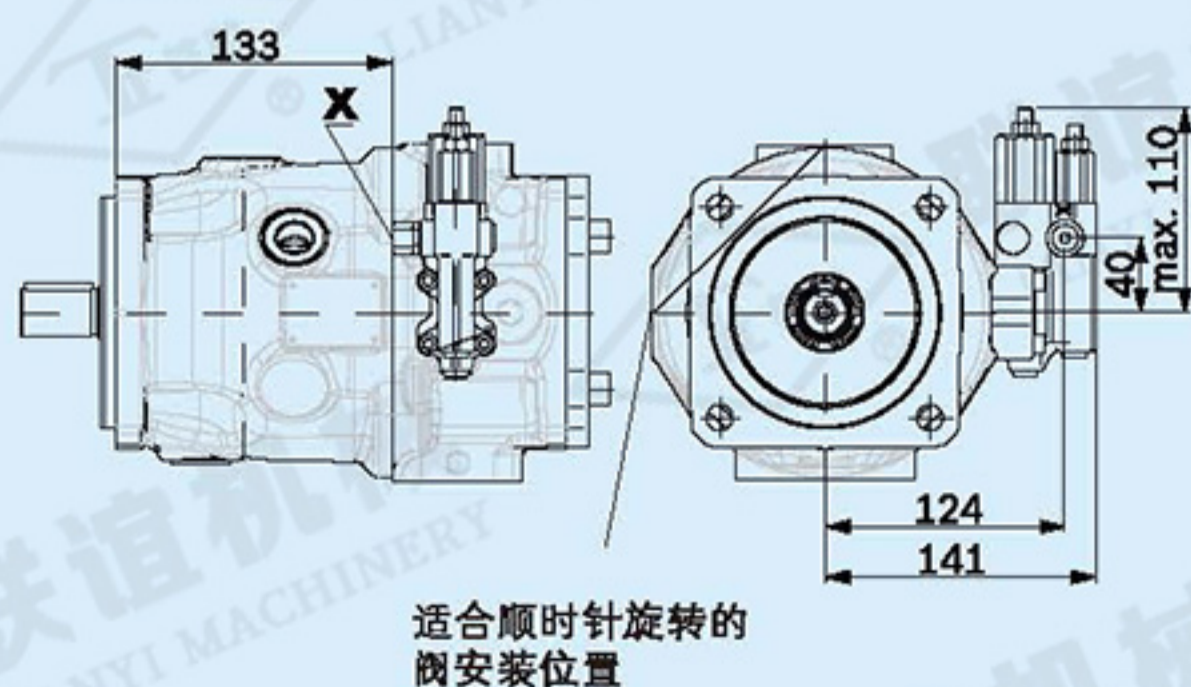
▼ DRG - 远程控制压力控制器



▼ ED7./ER7.- 电动压力控制器

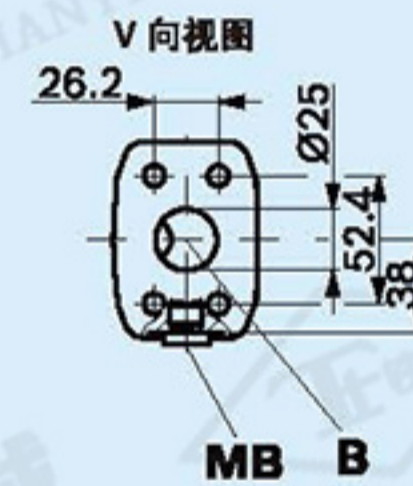
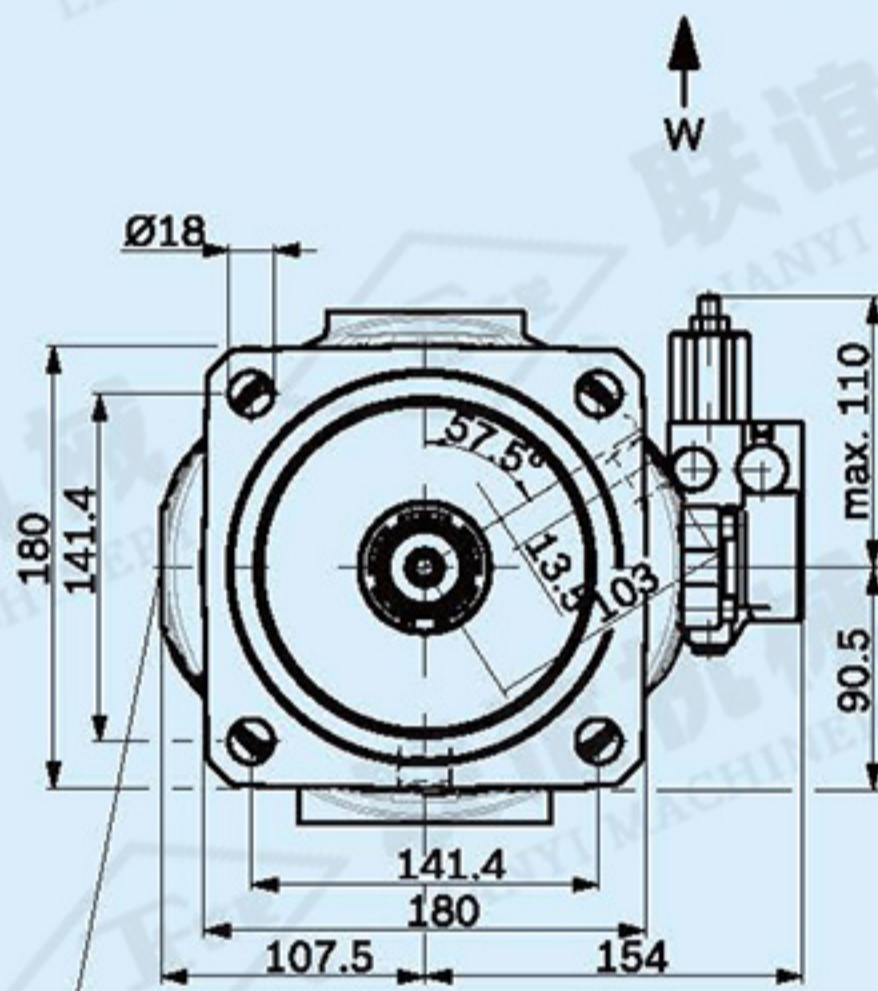
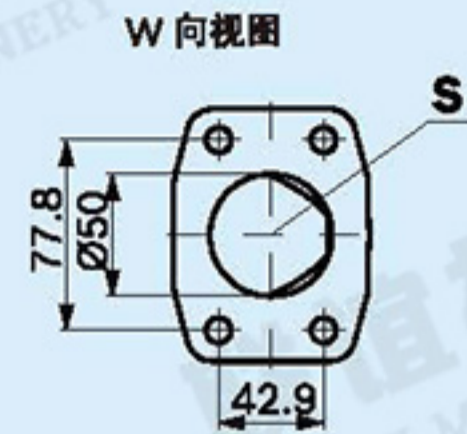
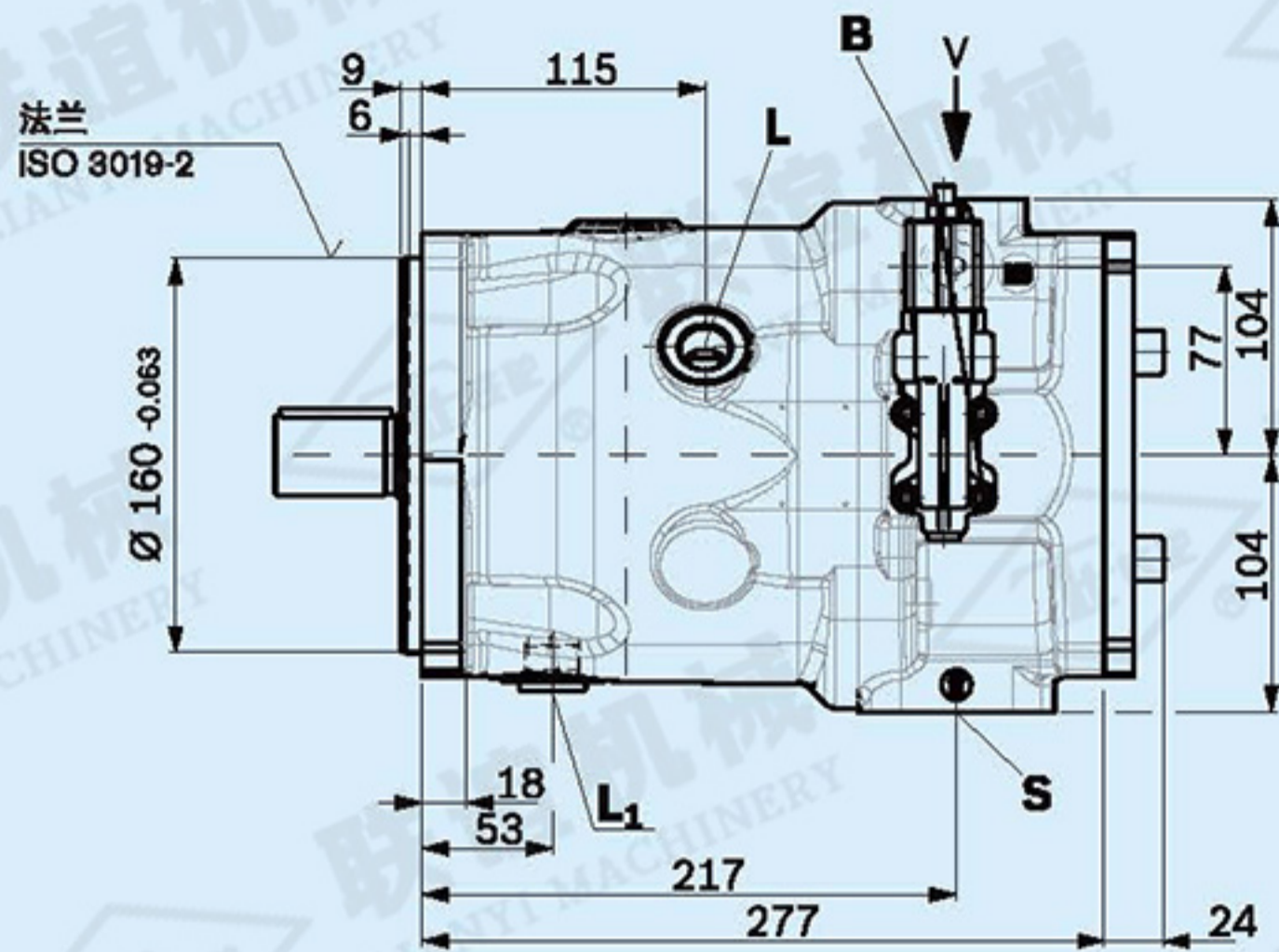


▼ DRF/DRS ■ 压力和流量控制器





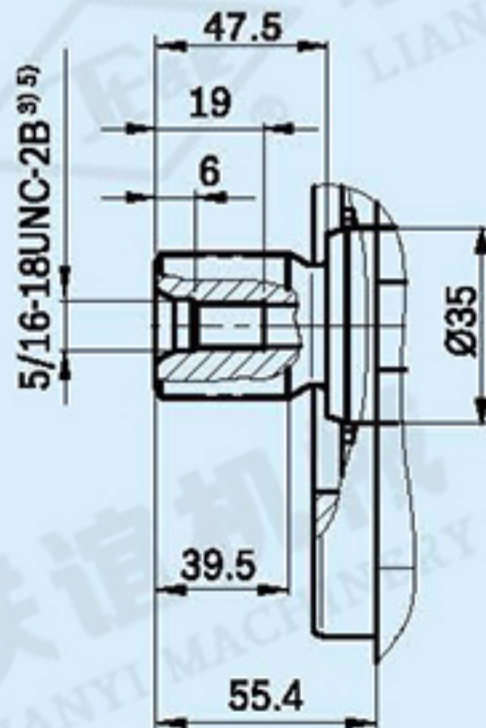
外形尺寸 规格71 (控制机构DR、DRG、DFR/DFR1)  
Dimensions size 71 (Control devices DR, DRG, DFR/DFR1)



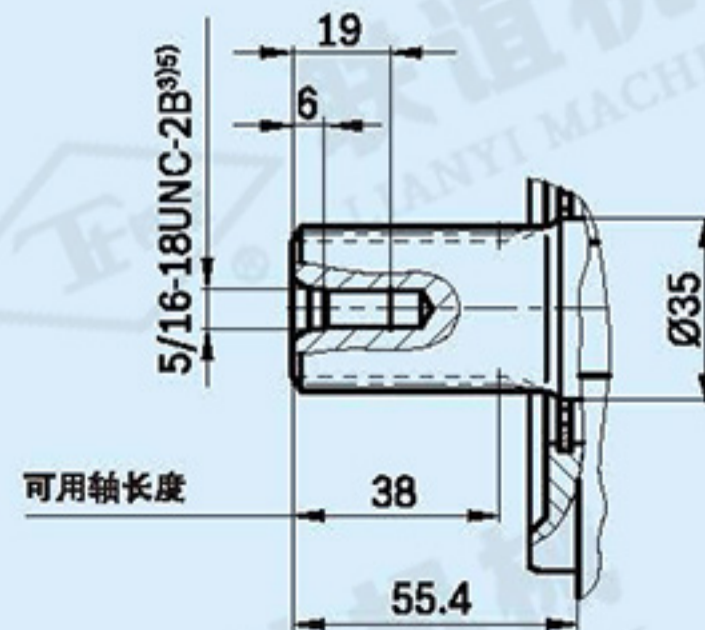
适合逆时针旋转的  
阀安装位置

轴伸 Shaft

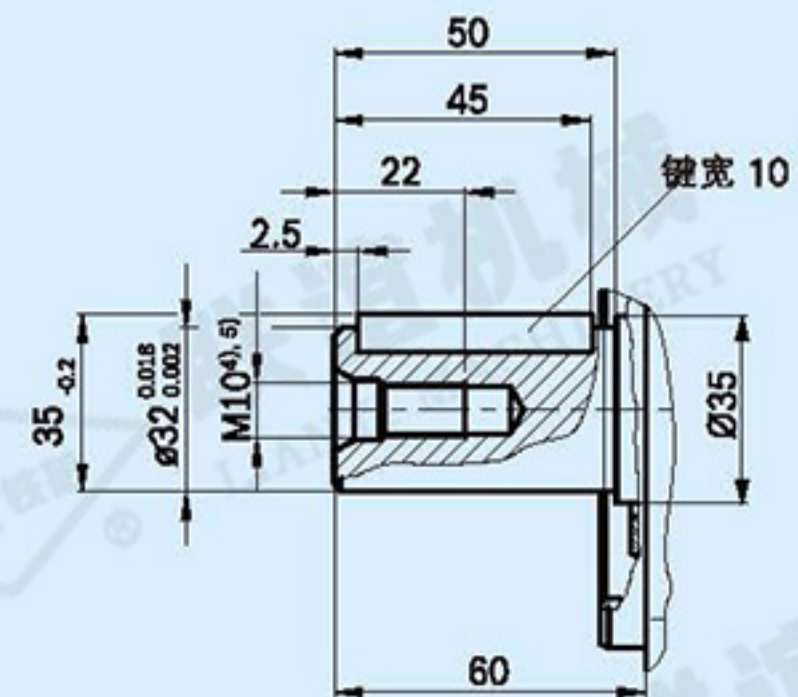
S 花键轴, 14T 12/24DP<sup>1)</sup>  
(SAE J744)



R 花键轴, 14T 12/24DP<sup>1)2)</sup>  
(SAE J744)



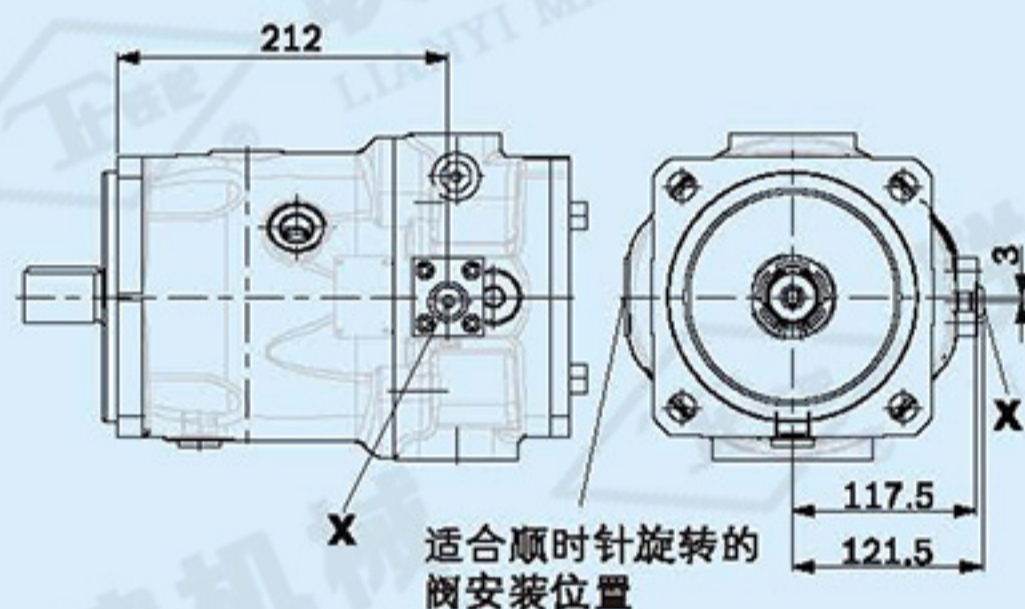
P 平键轴 DIN6885, A10x8x45



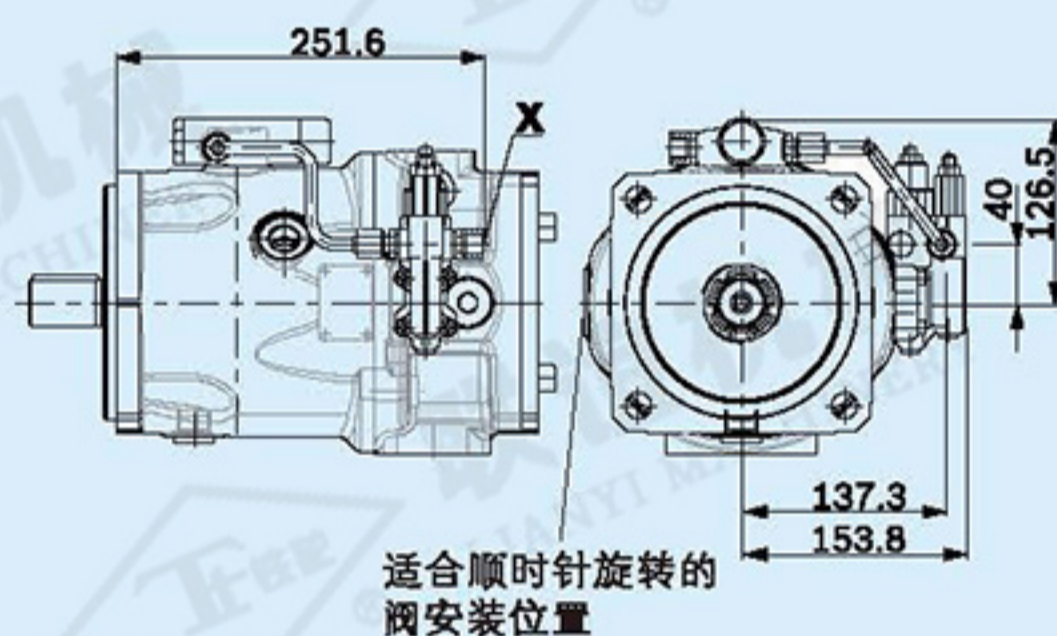


油口 Ports	标准	规格	P <sub>max</sub> [bar]	状态
B 出油口Outlet port	SAE J518	1 in	350	O
紧固螺纹Fastening thread	DIN 13	M10 x 1.5;17(深)		
S 进油口Suction port	SAE J518	2 in	10	O
紧固螺纹Fastening thread	DIN 13	M12 x 1.75;20(深)		
L 泄油口Drain port	DIN 3852	M22 x 1.5;14(深)	2	O
L <sub>1</sub> 泄油口Drain port	DIN 3852	M22 x 1.5;14(深)	2	X
X 控制油口Control pressure	DIN 3852	M14 x 1.5;12(深)	350	O
X 控制压力Control pressure for DG control	DIN ISO 228	G 1/4 in;12(深)	280	O
M <sub>B</sub> 测量压力 B Measuring pressure B	DIN 3852	G 1/4 in;12(深)	350	X

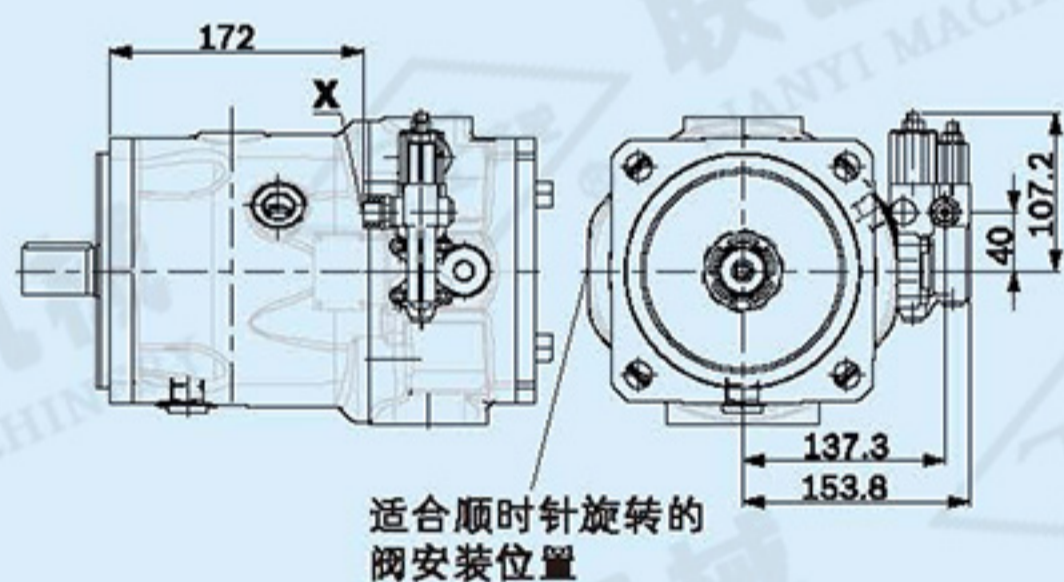
▼ DG - 两点直动式控制



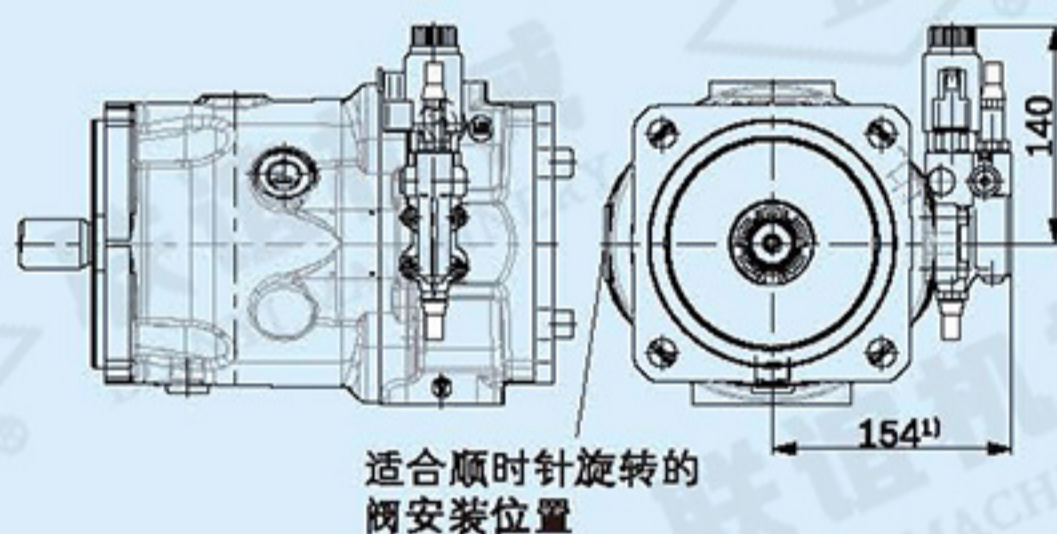
▼ LA.DS - 压力、流量和功率控制



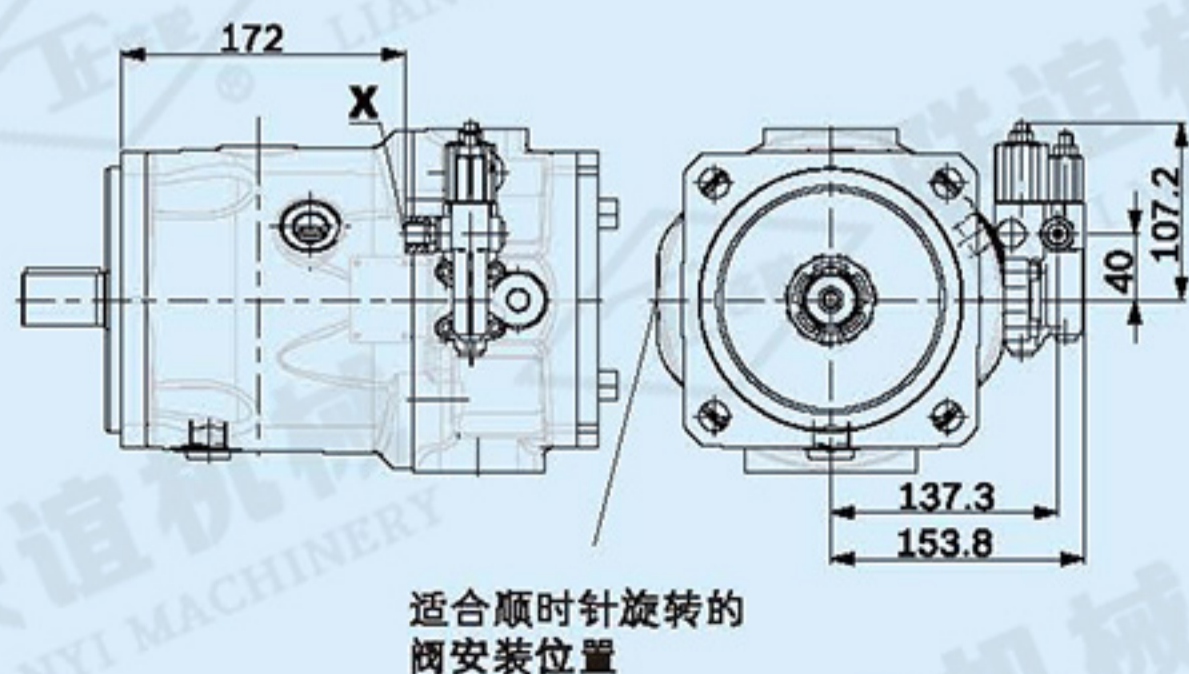
▼ DRG - 远程控制压力控制器



▼ ED7./ER7.- 电动压力控制器

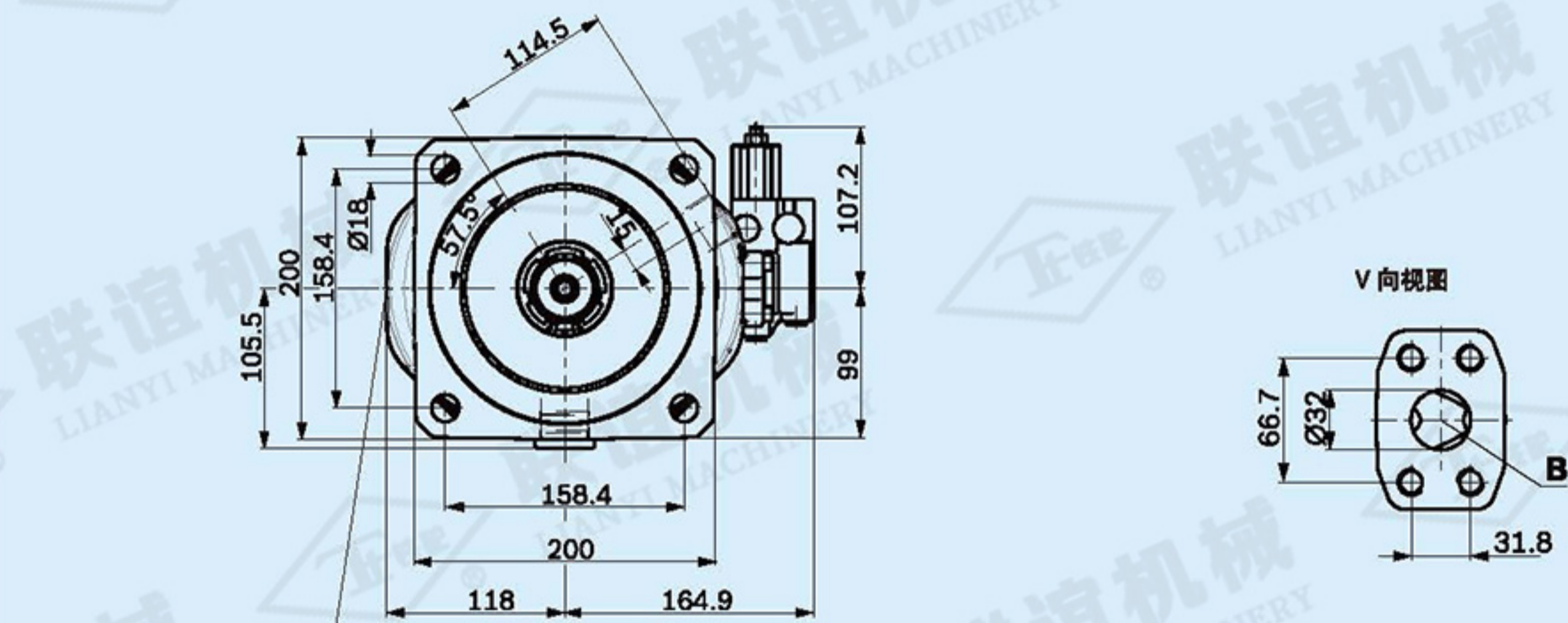
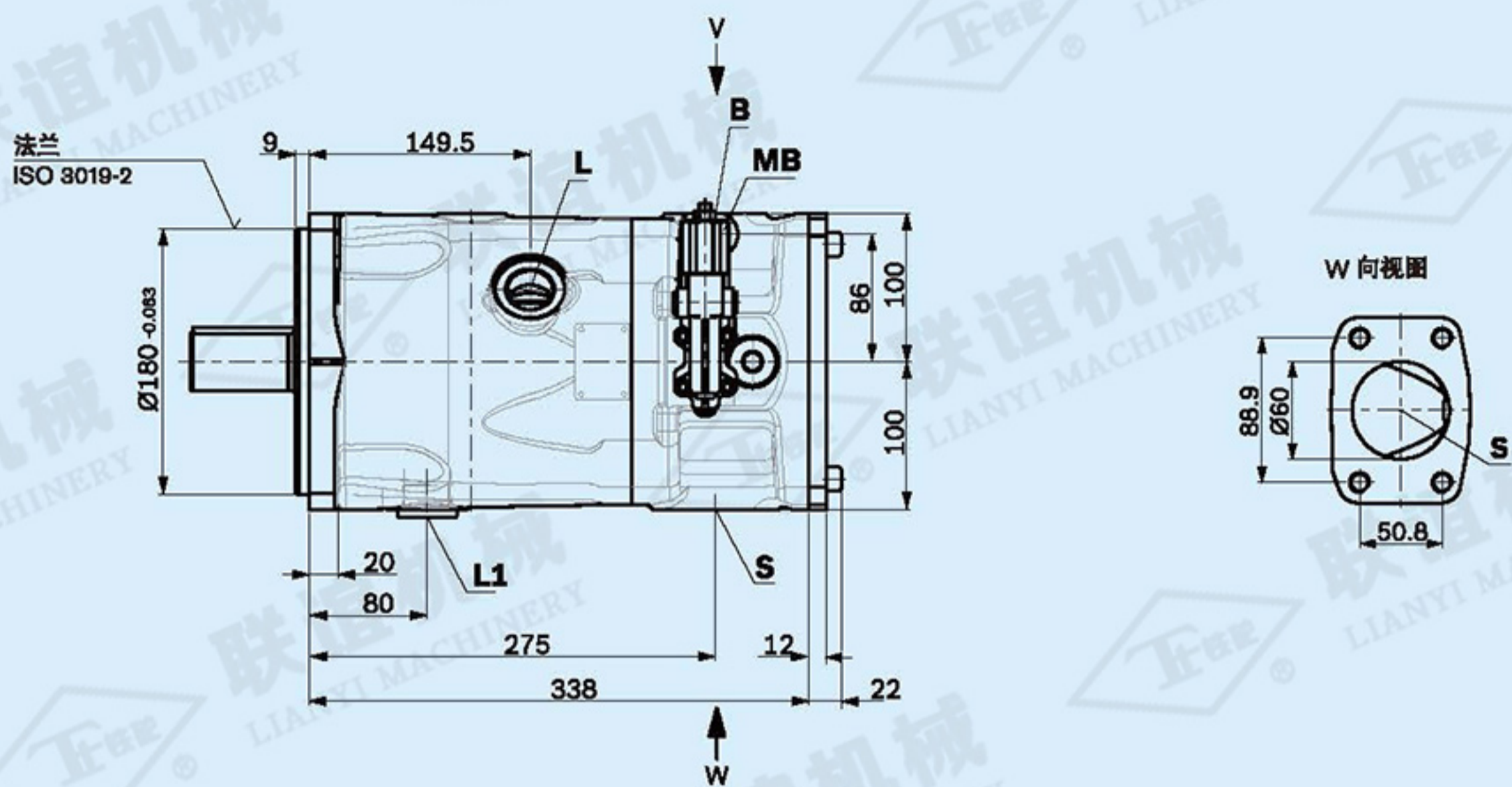


▼ DRF/DRS 压力和流量控制器





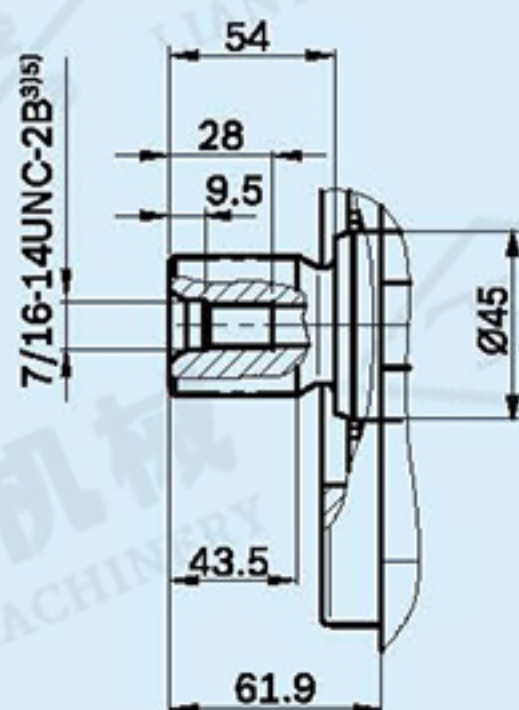
外形尺寸 规格100(控制机构DR、DRG、DFR/DFR1)  
Dimensions size 100(Control devices DR, DRG, DFR/DFR1)



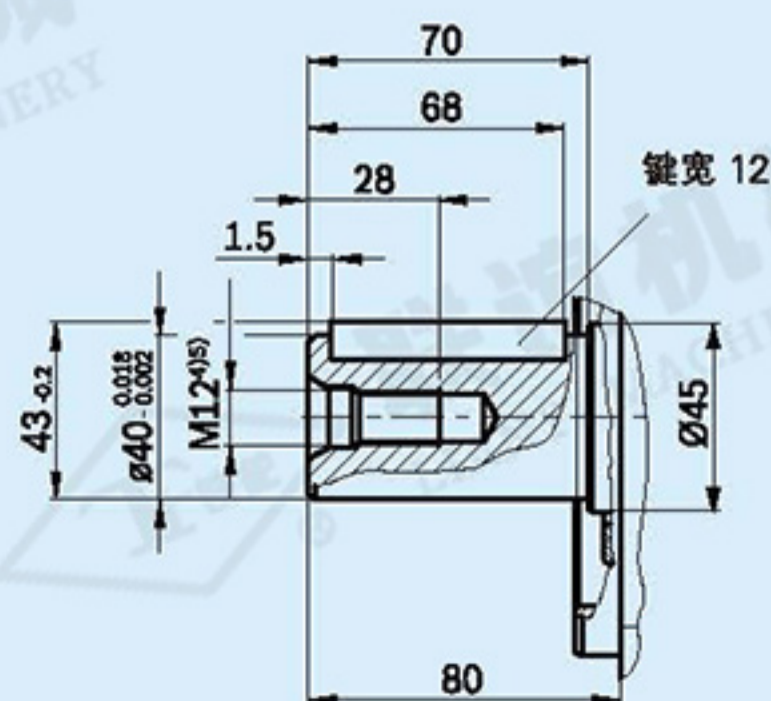
适合逆时针旋转的  
阀安装位置

轴伸 Shaft

S 花键轴, 17T 12/24DP<sup>1)</sup>  
(SAE J744)



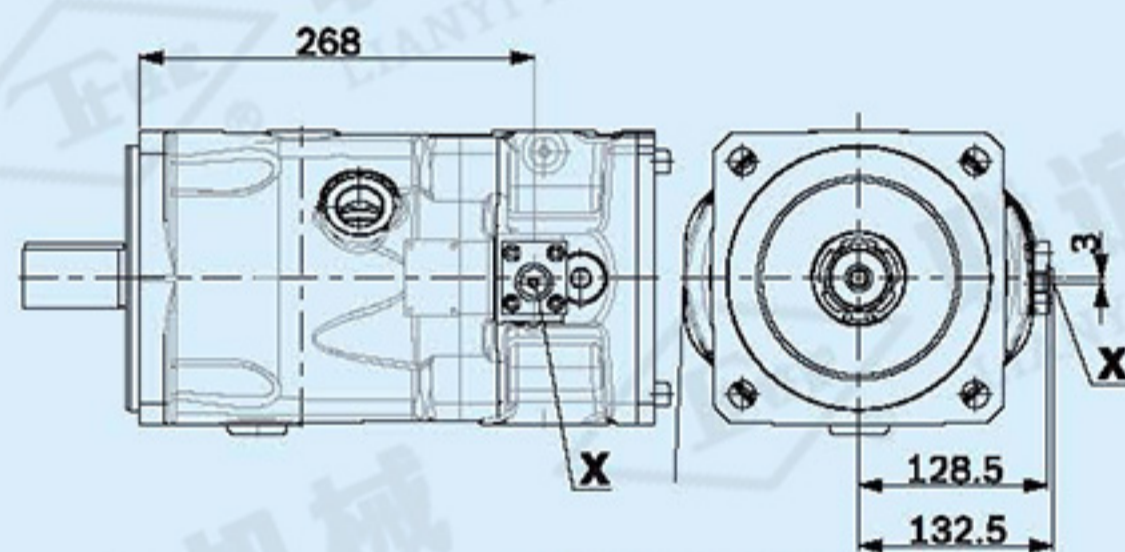
P 平键轴 DIN6885' A12x8x68





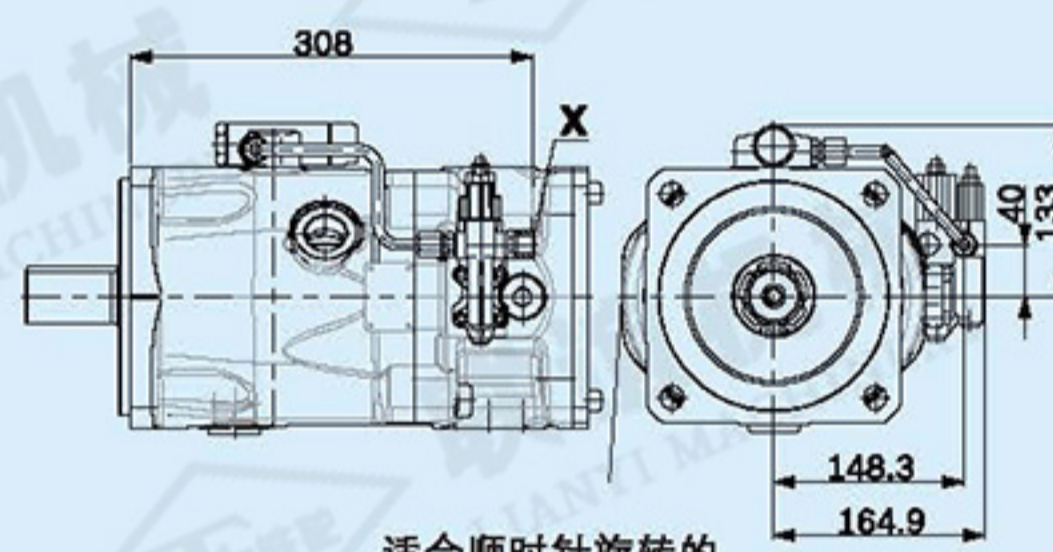
油口 Ports	标准	规格	P <sub>max</sub> [bar]	状态
B 出油口Outlet port	SAE J518	1 1/4 in	350	O
紧固螺纹Fastening thread	DIN 13	M14 x 2;19(深)		
S 进油口Suction port	SAE J518	2 1/2 in	10	O
紧固螺纹Fastening thread	DIN 13	M12 x 1.75;17(深)		
L 泄油口Drain port	DIN 3852	M33 x 2;16(深)	2	O
L <sub>1</sub> 泄油口Drain port	DIN 3852	M33 x 2;16(深)	2	X
X 控制油口Control pressure	DIN 3852	M14 x 1.5;12(深)	350	O
X 控制压力Control pressure for DG control	DIN ISO 228	G 1/4 in;12(深)	280	O
M <sub>B</sub> 测量压力 B Measuring pressure B	DIN 3852	G 1/4 in;12(深)	350	X

▼ DG - 两点直动式控制



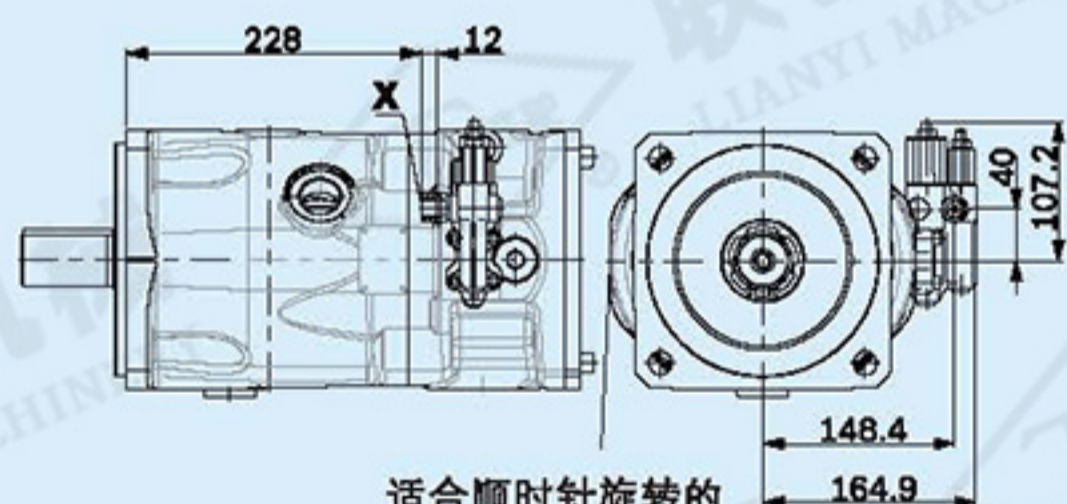
适合顺时针旋转的  
阀安装位置

▼ LA.DS - 压力、流量和功率控制



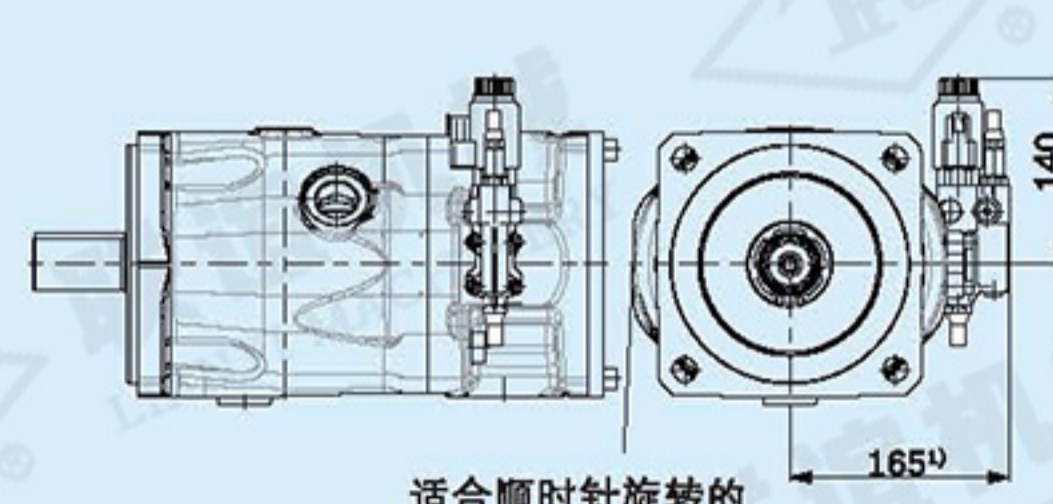
适合顺时针旋转的  
阀安装位置

▼ DRG - 远程控制压力控制器



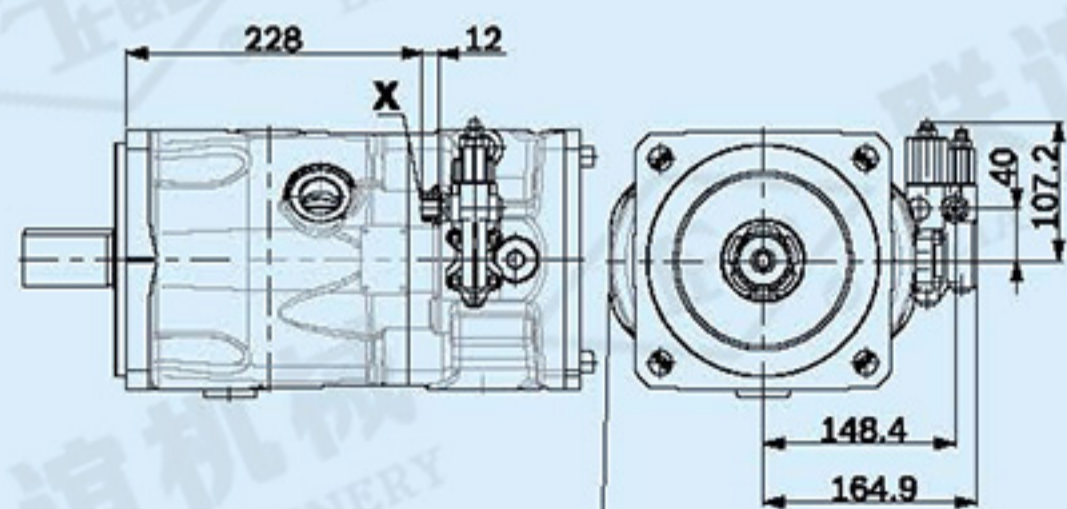
适合顺时针旋转的  
阀安装位置

▼ ED7./ER7.- 电动压力控制器



适合顺时针旋转的  
阀安装位置

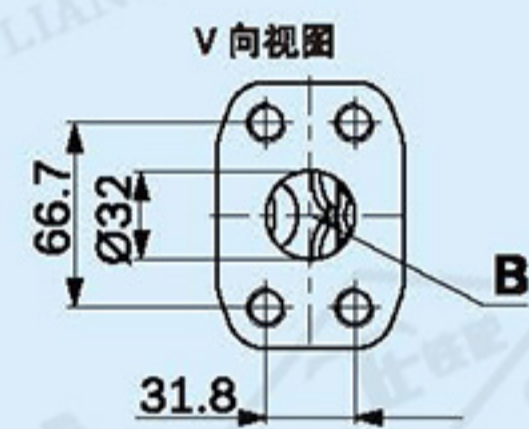
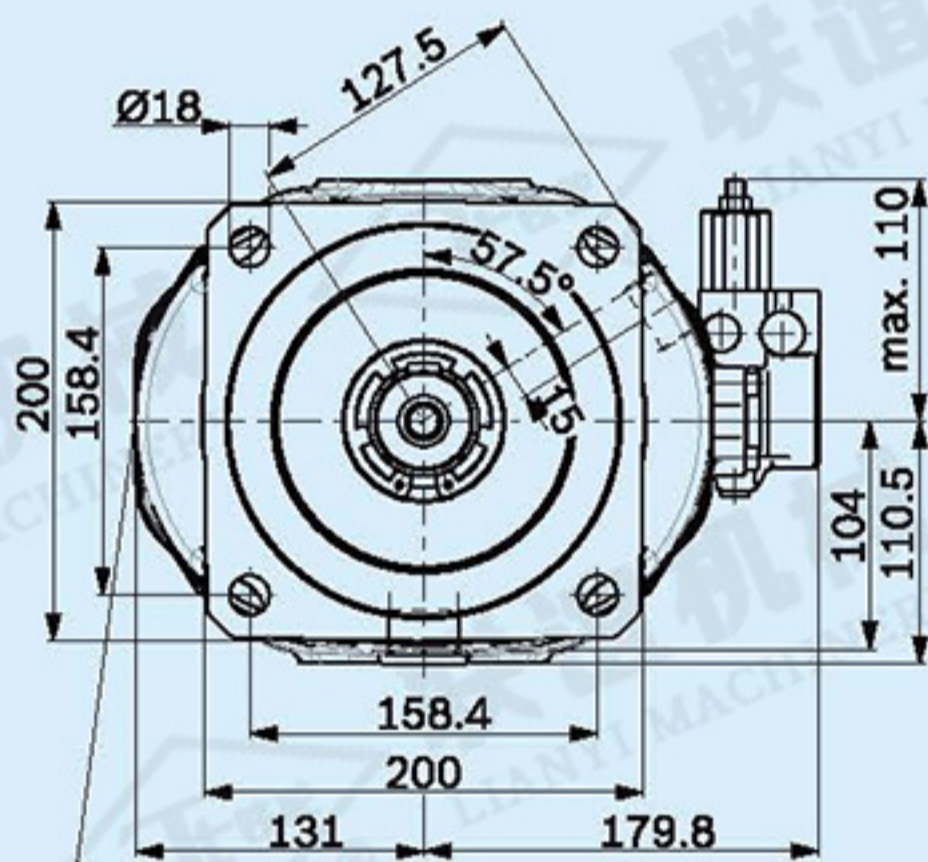
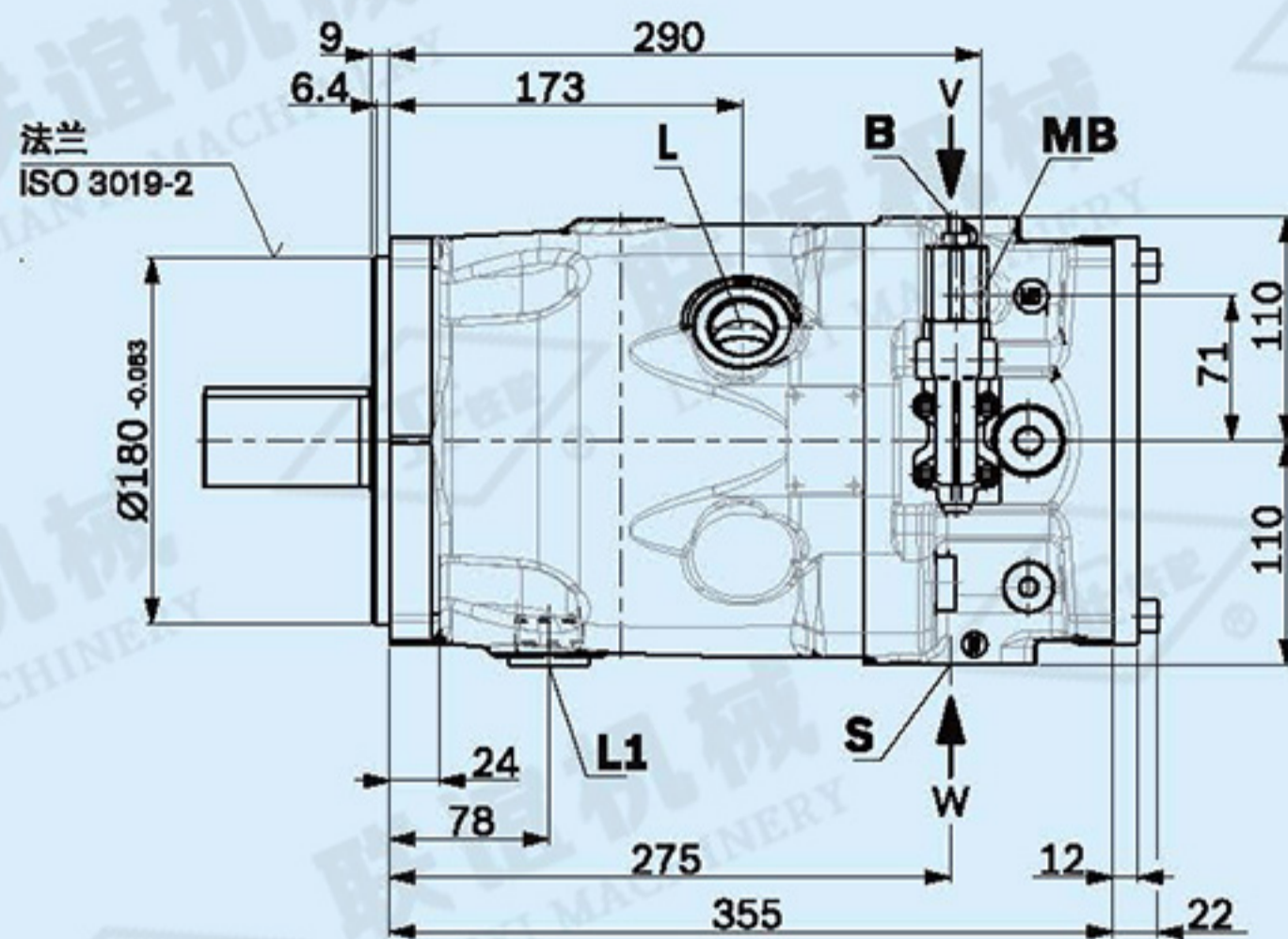
▼ DRF/DRS- 压力和流量控制器



适合顺时针旋转的  
阀安装位置



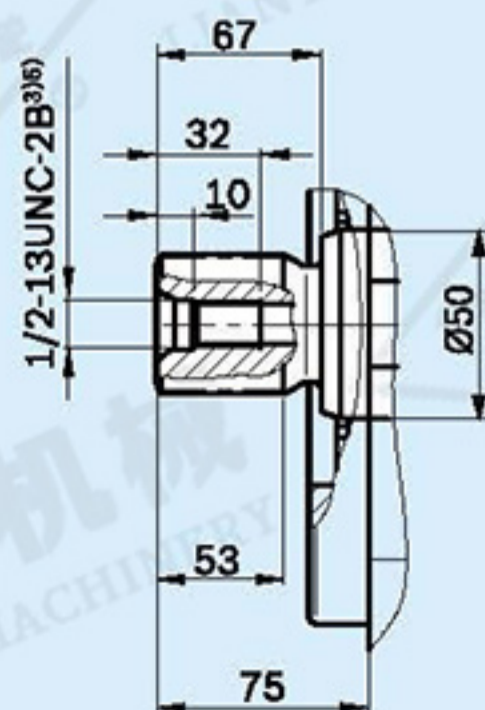
外形尺寸 规格140(控制机构DR、DRG、DFR/DFR1)  
Dimensions size 140(Control devices DR, DRG, DFR/DFR1)



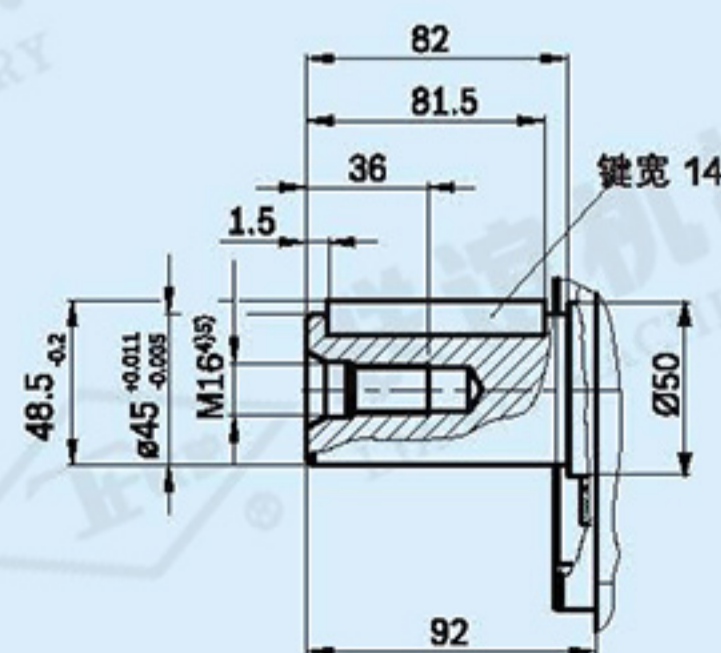
适合逆时针旋转的  
阀安装位置

轴伸 Shaft

S 花键轴, 13T 8/16DP<sup>1)</sup>  
(SAE J744)



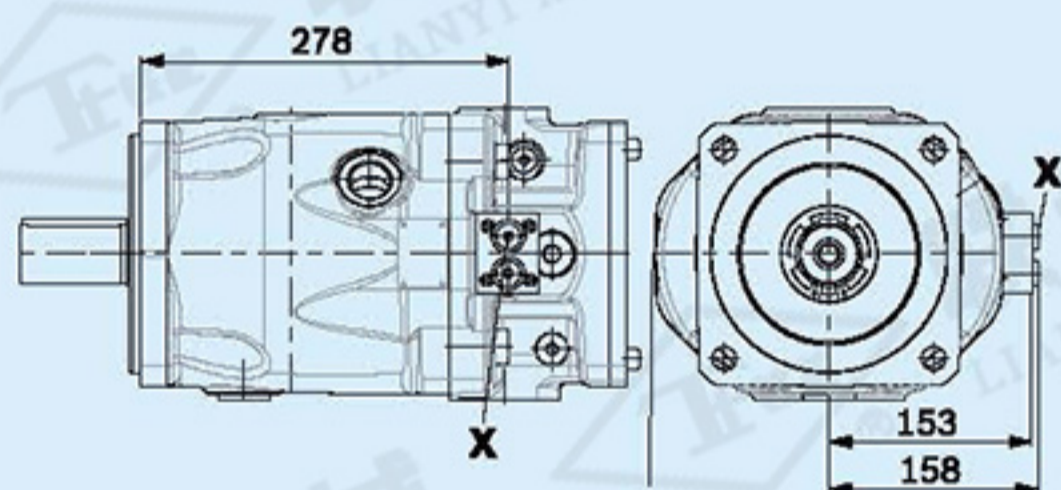
P 平键轴 DIN6885, A12x8x68





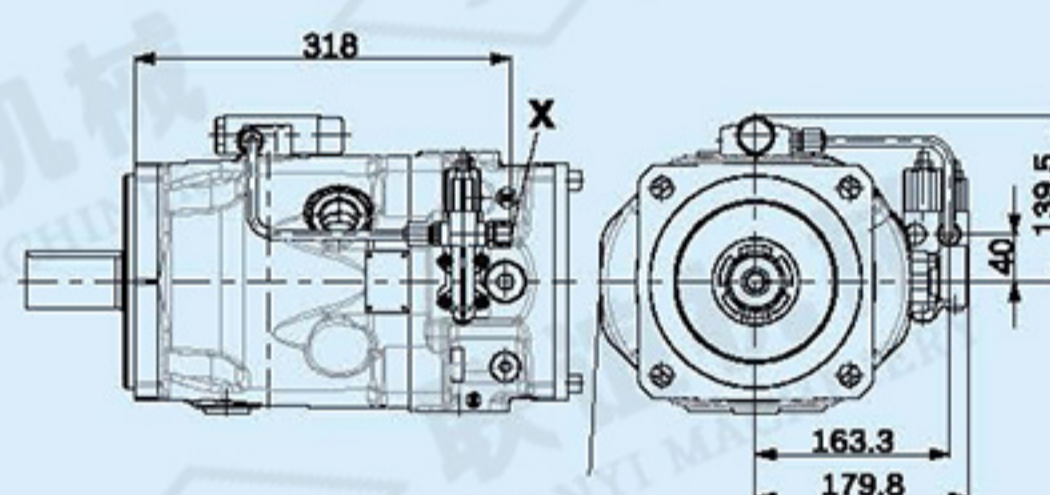
油口 Ports	标准	规格	P <sub>max</sub> [bar]	状态
B 出油口Outlet port	SAE J518	1 1/4 in	350	O
紧固螺纹Fastening thread	DIN 13	M14 x 2;19(深)		
S 进油口Suction port	SAE J518	2 1/2 in	10	O
紧固螺纹Fastening thread	DIN 13	M12 x 1.75;17(深)		
L 泄油口Drain port	DIN 3852	M33 x 2;16(深)	2	O
L <sub>1</sub> 泄油口Drain port	DIN 3852	M33 x 2;16(深)	2	X
X 控制油口Control pressure	DIN 3852	M14 x 1.5;12(深)	350	O
X 控制压力Control pressure for DG control	DIN ISO 228	G 1/4 in;12(深)	280	O
M <sub>B</sub> 测量压力 B Measuring pressure B	DIN 3852	G 1/4 in;12(深)	350	X

▼ DG - 两点直动式控制



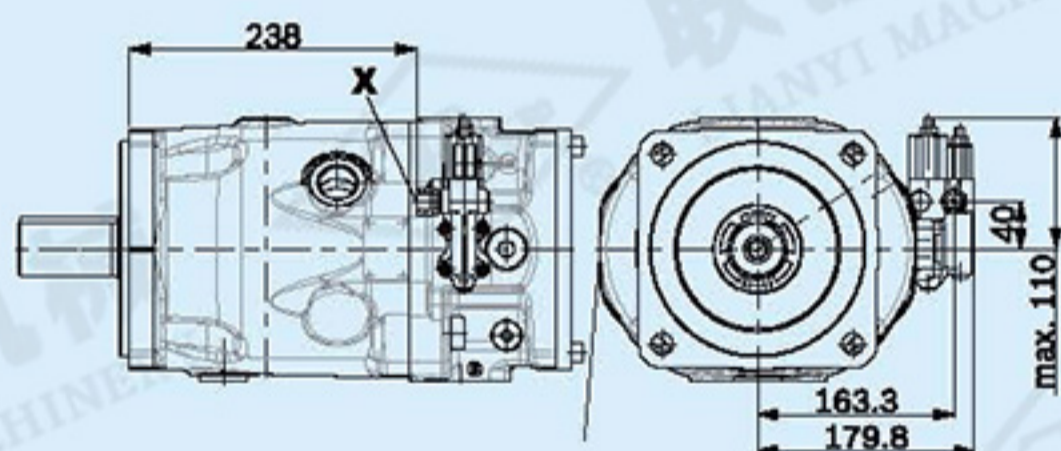
适合顺时针旋转的  
阀安装位置

▼ LA.DS - 压力、流量和功率控制



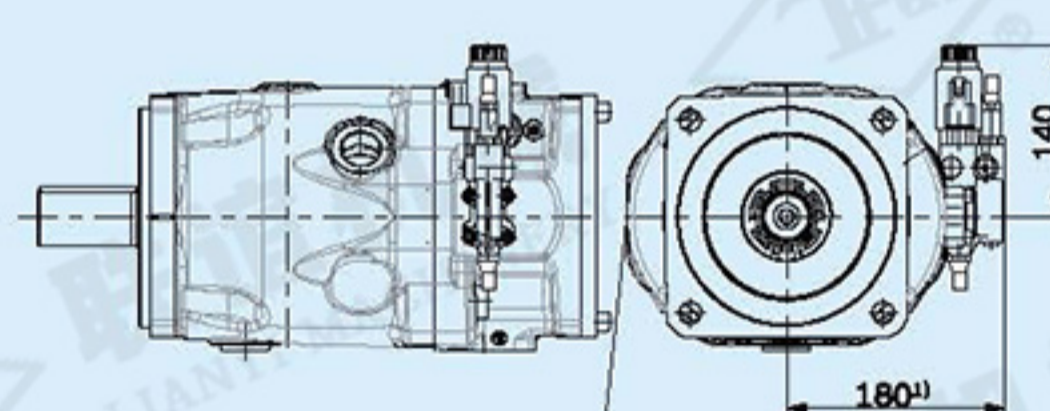
适合顺时针旋转的  
阀安装位置

▼ DRG - 远程控制压力控制器



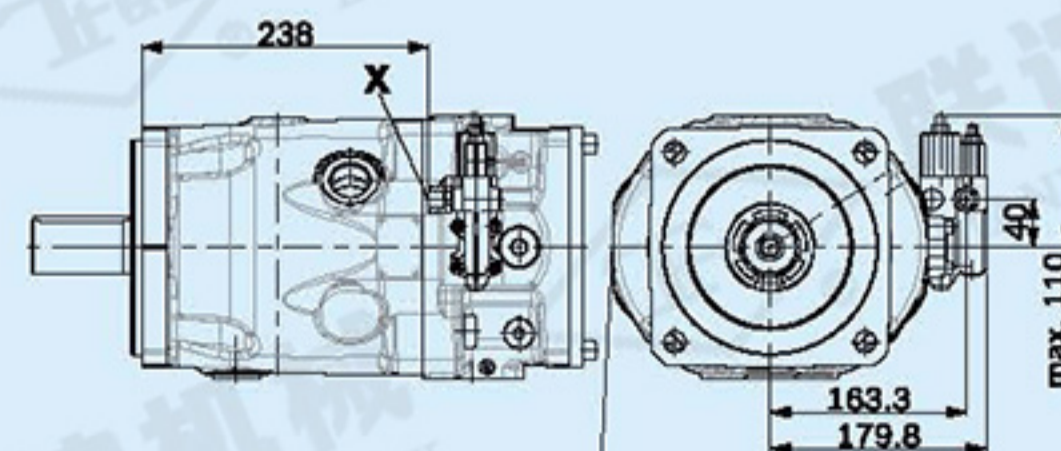
适合顺时针旋转的  
阀安装位置

▼ ED7./ER7.- 电动压力控制器



适合顺时针旋转的  
阀安装位置

▼ DRF/DRS- 压力和流量控制器



适合顺时针旋转的  
阀安装位置

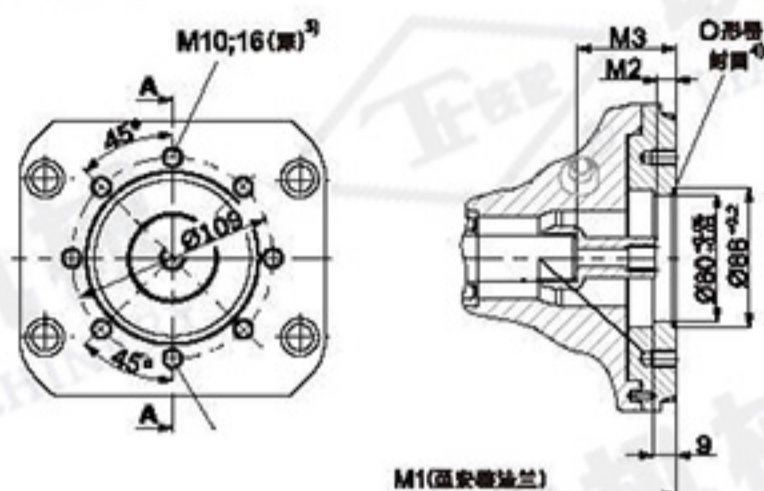


## 通轴尺寸 Dimensions, through drive

法兰Flange ISO 3019-1(SAE) 直径Diameter	Symbol	花键 Hub for splined shaft <sup>1)</sup> 直径Diameter		适用型号 Availability over sizes				代号 Code
				45	71	100	140	
80-2		3/4 in	11T 16/32DP	●	●	●	●	UB2
100-2		7/8 in	13T 16/32DP	●	●	●	●	UB3

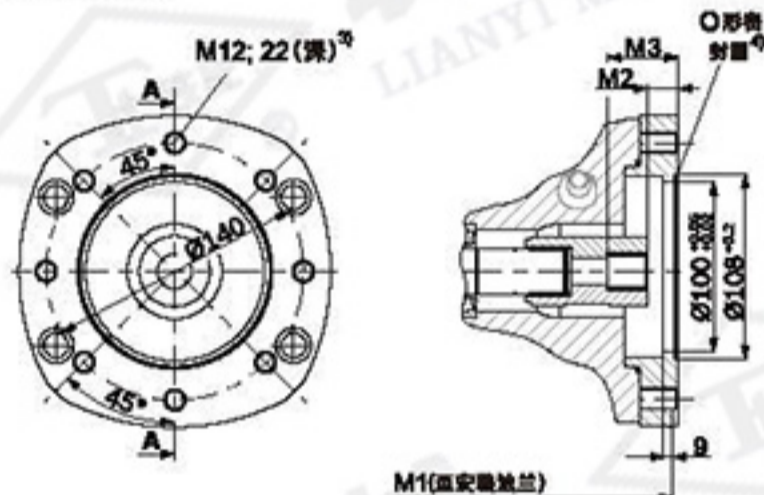
● = Available - = Not available

▼ 80, 2-hole



UB2	NG	M1	M2	M3
(SAE J744 16-4(A-B))	45	264	根据需要供货	
	71	299	21.3	40.6
	100	360	19	38.6
	140	377	19	38.6

▼ 100, 2-hole

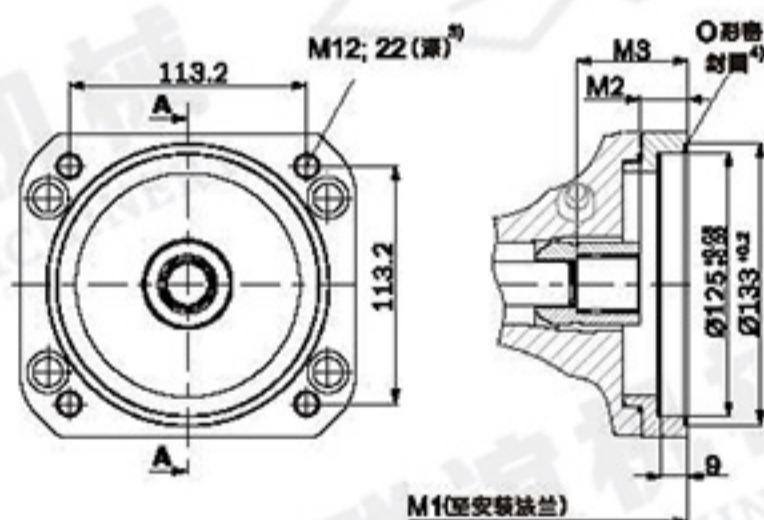


UB3	NG	M1	M2	M3
(SAE J744 22-4(B))	45	264	18	41.7
	71	299	20.3	44.1
	100	360	18	41.9
	140	377	18	41.6

法兰Flange ISO 3019-1(SAE) 直径Diameter	Symbol	花键 Hub for splined shaft <sup>1)</sup> 直径Diameter		适用型号 Availability over sizes				代号 Code
				45	71	100	140	
125-4		1 in	15T 16/32DP	●	●	●	●	UE1
160-4		1 1/4 in	14T 12/24DP	-	●	●	●	UB8

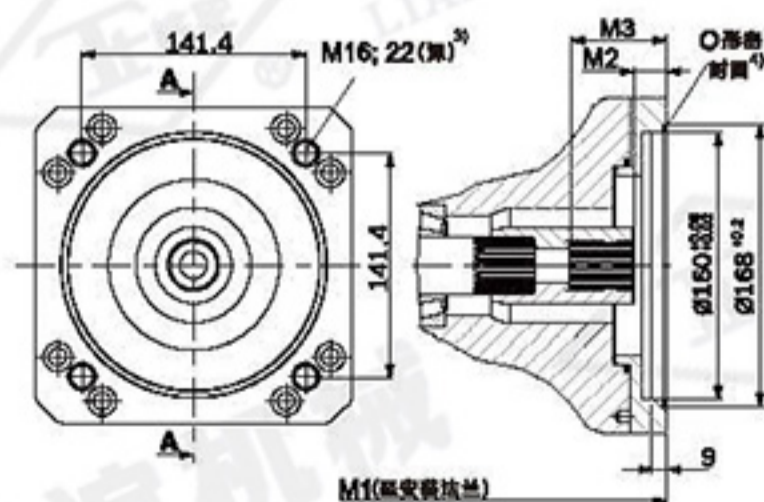
● = Available - = Not available

▼ 125-4



UE1	NG	M1	M2	M3
(SAE J744 25-4(B-B))	45	264	根据需要供货	
	71	299	根据需要供货	
	100	360	18.2	46.9
	140	377	18.5	45.9

▼ 160-4



UB8	NG	M1	M2	M3
(SAE J744 32-4(C))	71	299	20.1	58.1
	100	360	19.8	56.4
	140	377	19.8	56.4
	180	387	20.1	56.4

1) 30° 压力角, 平齿根, 侧面配合, 公差等级5

According to ANSIB92.1a, 30° pressure angle, flat root, side fit, tolerance class 5

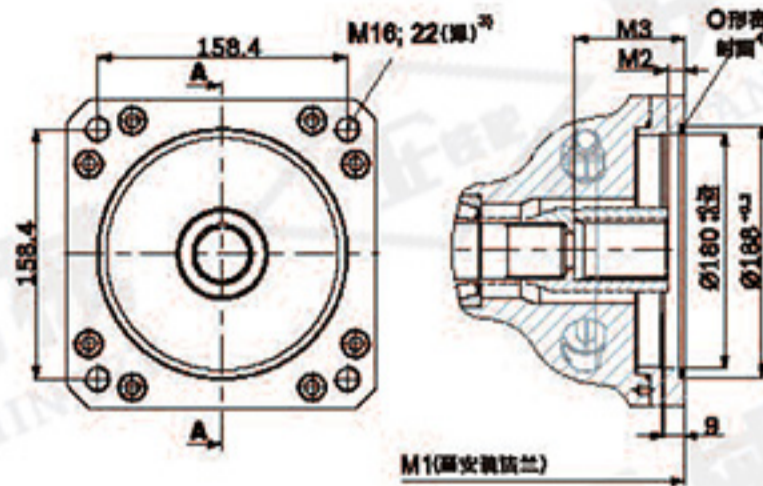
3) 符合DIN 13 的螺纹 Thread according to DIN 13



法兰Flange ISO 3019-1(SAE) 直径Diameter	Symbol	花键 Hub for splined shaft <sup>1)</sup> 直径Diameter		适用型号 Availability over sizes				代号 Code
				45	71	100	140	
180-4	☉	1 1/2 in	17T 16/24DP	-	-	●	●	UB9
		1 3/4 in	13T 8/16DP	-	-	-	●	UB7

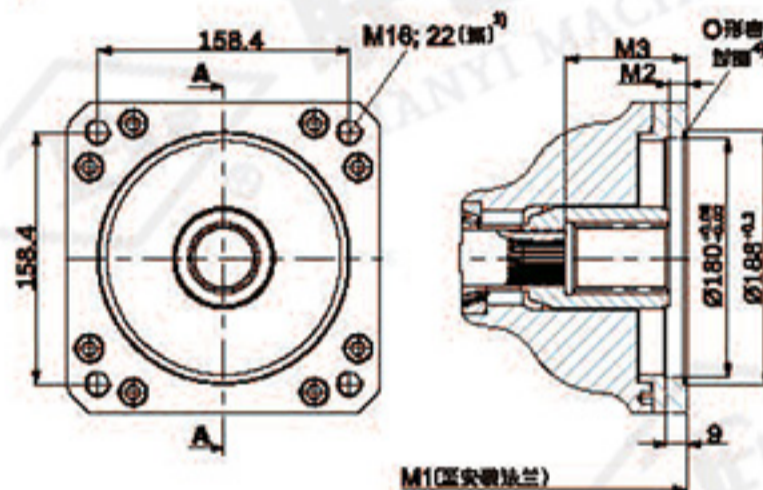
● = Available - = Not available

▼ 180-4



UB2	NG	M1	M2	M3
(SAE J744 38-4(C-C))	100	360	9	63.9
	140	377	10.2	74.9

▼ 180-4

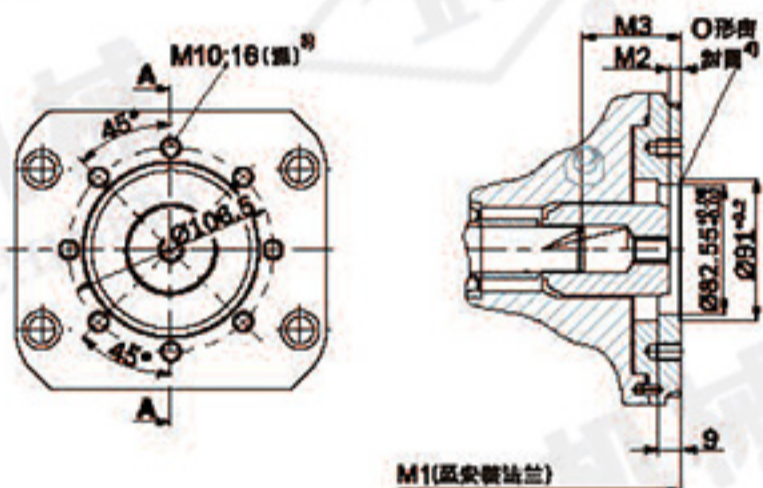


UB7	NG	M1	M2	M3
(SAE J744 44-4(D))	140	377	10.4	77.4

法兰Flange ISO 3019-1(SAE) 直径Diameter	Symbol	花键 Hub for splined shaft <sup>1)</sup> 直径Diameter		适用型号 Availability over sizes				代号 Code
				45	71	100	140	
82-2 (A)	☉	5/8 in	9T 16/32DP	●	●	●	●	U01
		3/4 in	11T 16/32DP	●	●	●	●	U52

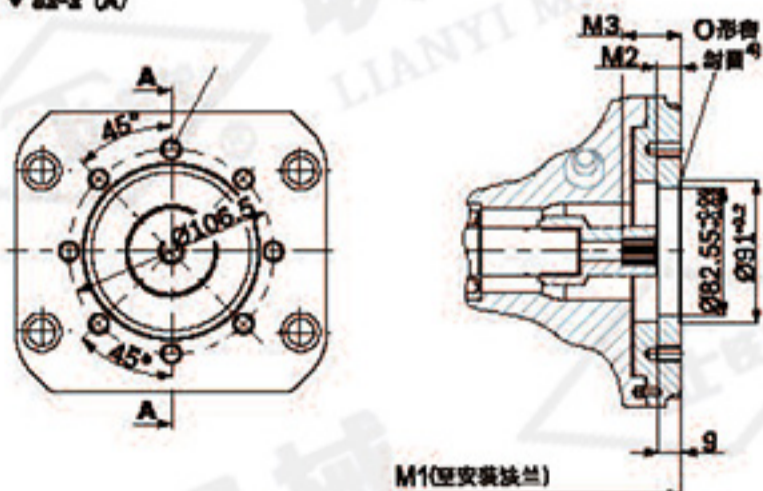
● = Available - = Not available

▼ 82-2 (A)



U01	NG	M1	M2	M3
(SAE J744 16-4(A))	45	264	根据需要供货	
	71	299	9.3	61.3
	100	360	10.5	65
	140	377	根据需要供货	

▼ 82-2 (A)



UB8	NG	M1	M2	M3
(SAE J744 19-4(A-B))	45	264	18.6	38.7
	71	299	20.7	41.4
	100	360	17	38
	140	377	19	38.6

1) 30° 压力角, 平齿根, 侧面配合, 公差等级5

According to ANSIB92.1a, 30° pressure angle, flat root, side fit, tolerance class 5

3) 符合DIN 13 的螺纹 Thread according to DIN 13

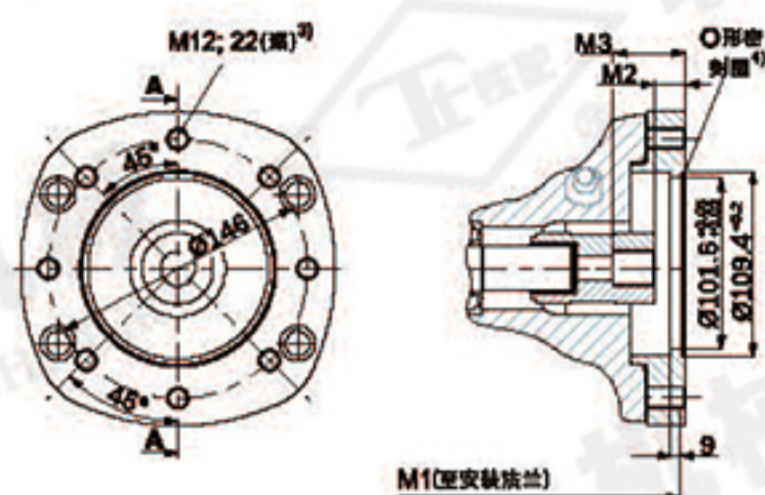


## 通轴尺寸 Dimensions,, through drive

法兰Flange ISO 3019-1(SAE) 直径Diameter	Symbol	花键 Hub for splined shaft <sup>1)</sup> 直径Diameter		适用型号 Availability over sizes				代号 Code
				45	71	100	140	
101-2(B)		7/8 in	13T 16/32DP	●	●	●	●	U68
		1 in	15T 16/32DP	●	●	●	●	U04

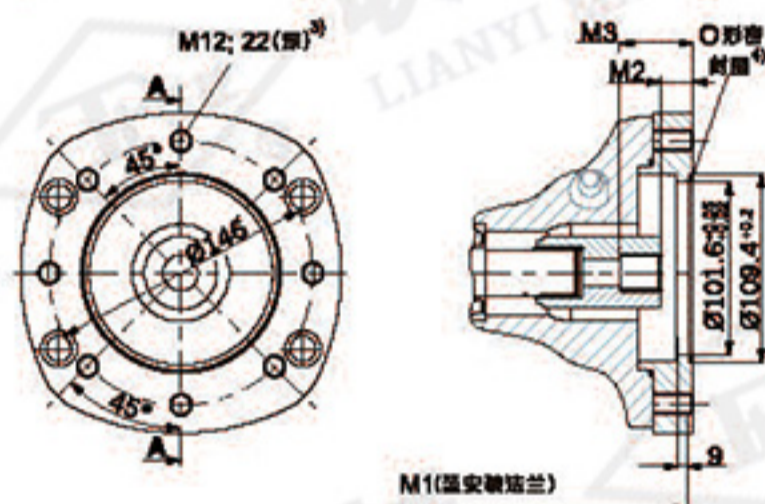
● = Available - = Not available

▼ 101-2 (B)



U68	NG	M1	M2	M3
(SAE J744 22-4(B))	45	264	18.2	41.5
	71	299	19.7	44.1
	100	360	17.4	41.3
	140	377	17.4	41.6

▼ 101-2 (B)

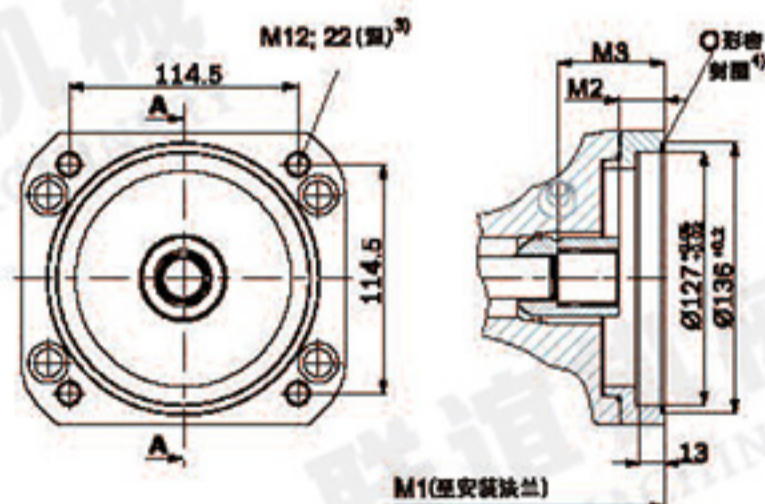


U04	NG	M1	M2	M3
(SAE J744 25-4(B-B))	45	264	根据需要供货	
	71	299	20.8	49.1
	100	360	17.6	46.6
	140	377	17.9	46.3

法兰Flange ISO 3019-1(SAE) 直径Diameter	Symbol	花键 Hub for splined shaft <sup>1)</sup> 直径Diameter		适用型号 Availability over sizes				代号 Code
				45	71	100	140	
127-4 ( C )		1 in	15T 16/32DP	●	●	●	●	UE2
		1 1/4 in	14T 12/24DP	-	●	●	●	U15
127-2 ( C )		1 1/2 in	17T 12/24DP	-	-	●	●	U24

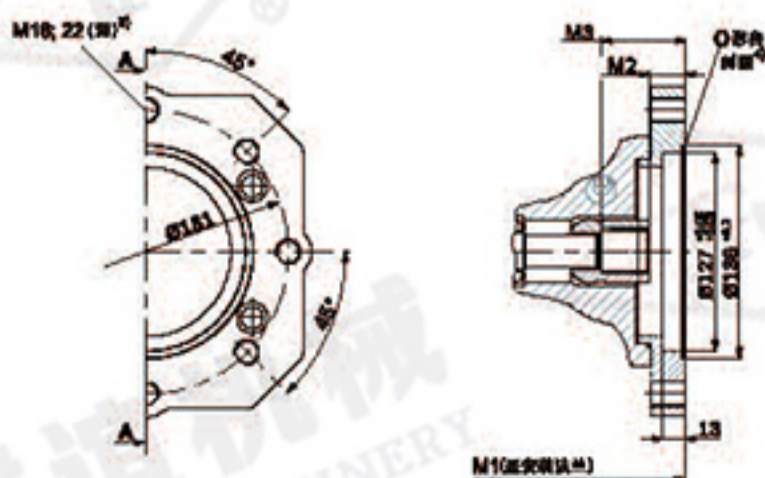
● = Available - = Not available

▼ 127-4 (C)



UE2	NG	M1	M2	M3
127-4 ( C )	45	264	18.7	46.6
	71	299	根据需要供货	
	100	360	根据需要供货	
	140	377	根据需要供货	

▼ 127-2 (C)



U15	NG	M1	M2	M3
127-4 ( C )	71	299	21.8	58.1
	100	360	根据需要供货	
	140	377	根据需要供货	

U24	NG	M1	M2	M3
127-2 ( C )	100	360	21.5	62.3
	140	377	10.5	62.3

1) 30° 压力角, 平齿根, 侧面配合, 公差等级5

According to ANSIB92.1a, 30° pressure angle, flat root, side fit, tolerance class 5

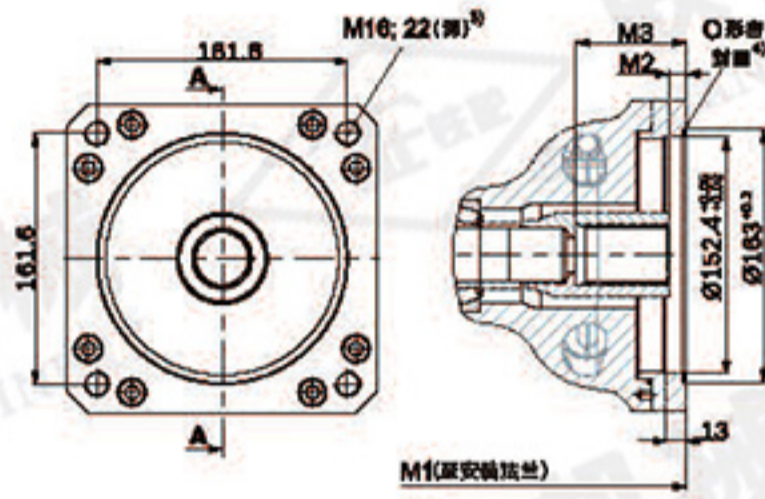
3) 符合DIN 13 的螺纹 Thread according to DIN 13



法兰Flange ISO 3019-1(SAE) 直径Diameter	Symbol	花键 Hub for splined shaft <sup>1)</sup> 直径Diameter		适用型号 Availability over sizes				代号 Code
				45	71	100	140	
152-4(C)	⊚	1 1/2 in	17T 12/24DP	-	-	●	●	U96
		1 3/4 in	13T 8/16DP	-	-	-	●	U17

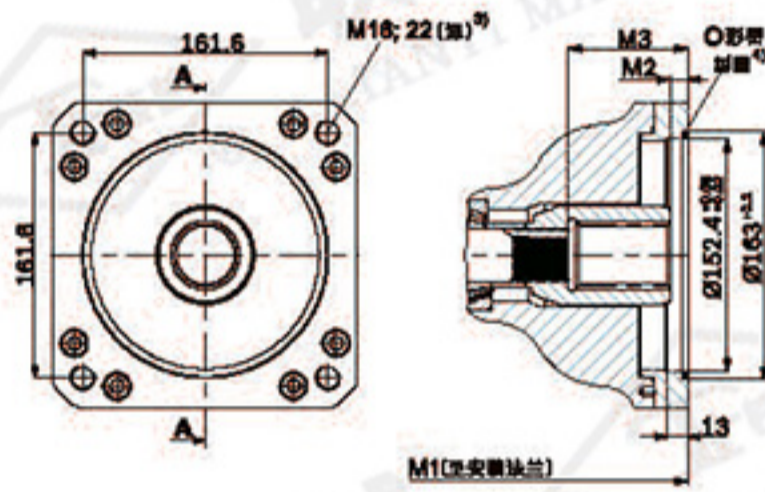
● = Available - = Not available

▼ 152-4 (C)



U96	NG	M1	M2	M3
152-4(D)	100	360	根据需要供货	
	140	377		

▼ 152-4 (C)



U17	NG	M1	M2	M3
152-4(D)	140	377	11	77.5

1) 30° 压力角, 平齿根, 侧面配合, 公差等级5

According to ANSIB92.1a, 30° pressure angle, flat root, side fit, tolerance class 5

3) 符合DIN 13 的螺纹 Thread according to DIN 13